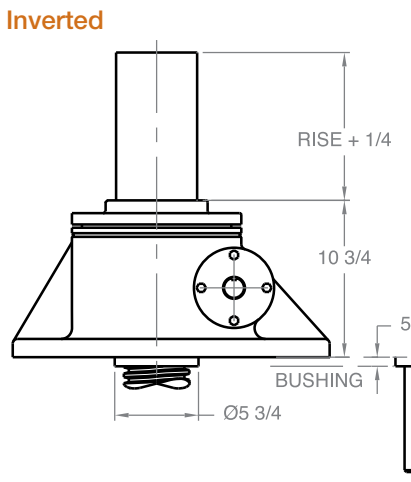
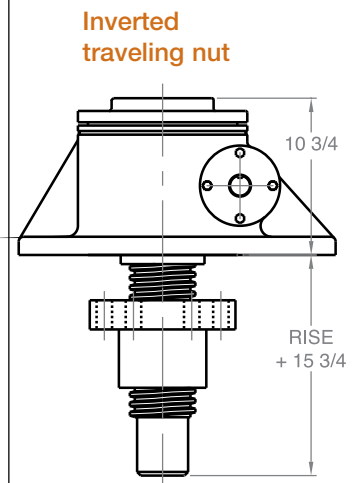
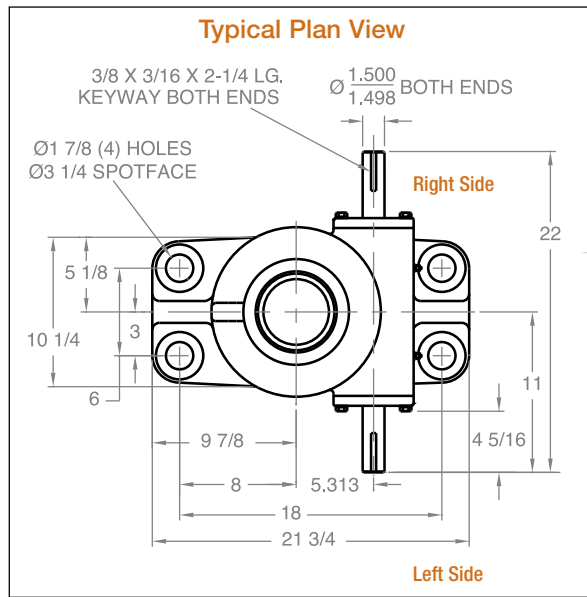
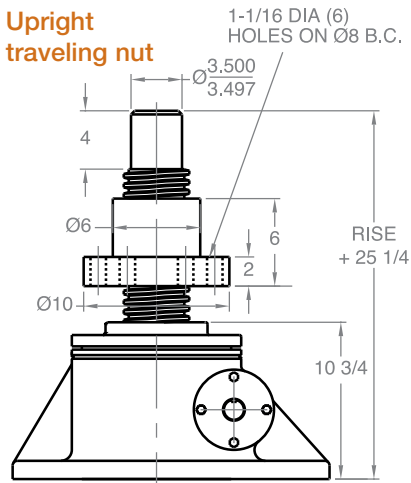
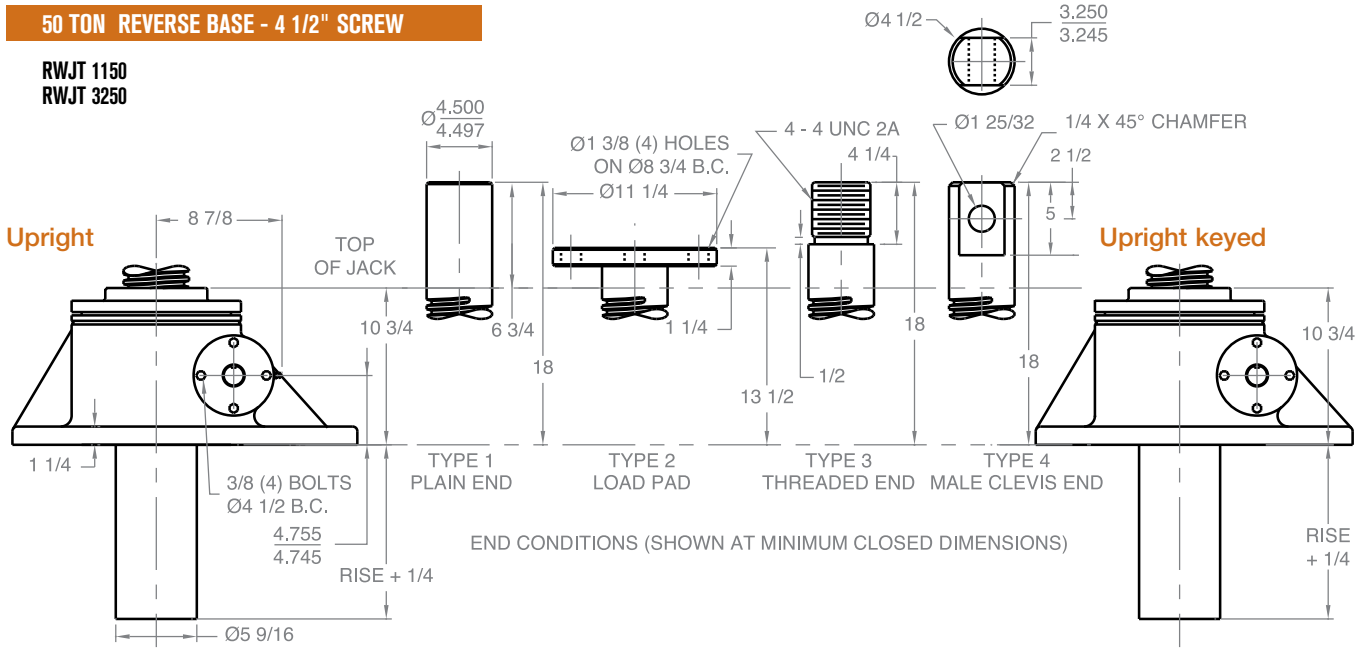


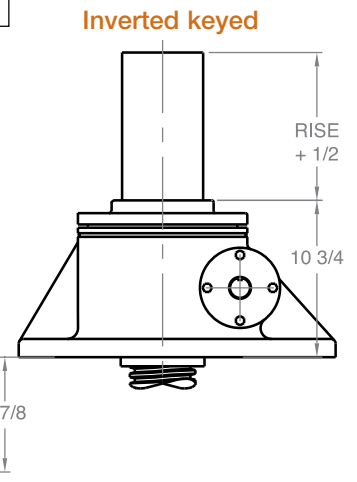
MACHINE SCREW JACKS

50 TON REVERSE BASE - 4 1/2" SCREW

RWJT 1150
RWJT 3250



FOR DOUBLE CLEVIS DESIGN
CONTACT JOYCE



Note: Drawings are artist's conception — not for certification; dimensions are subject to change without notice.