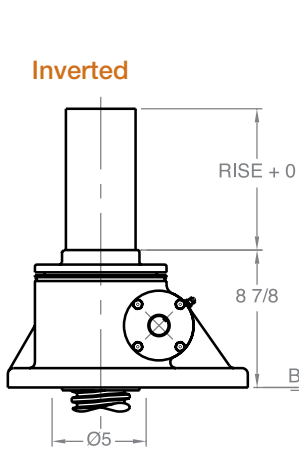
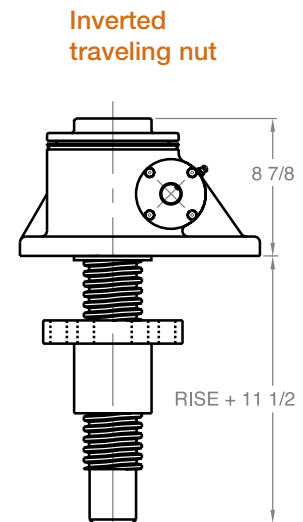
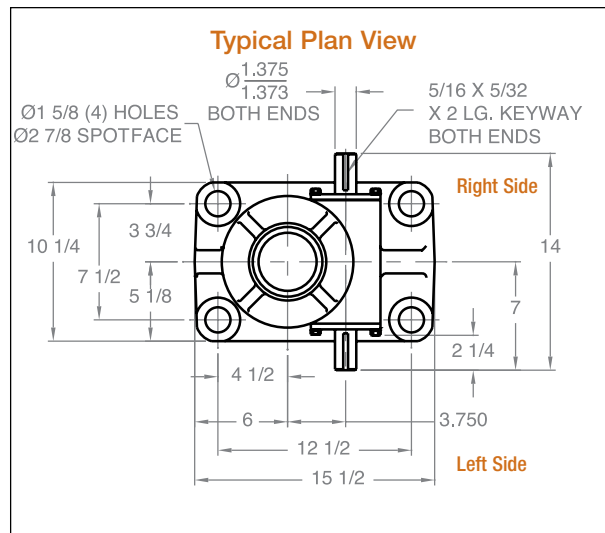
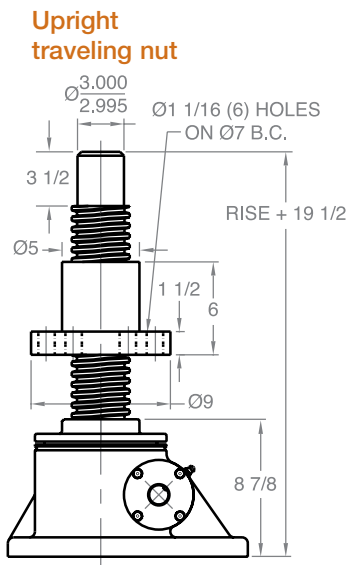
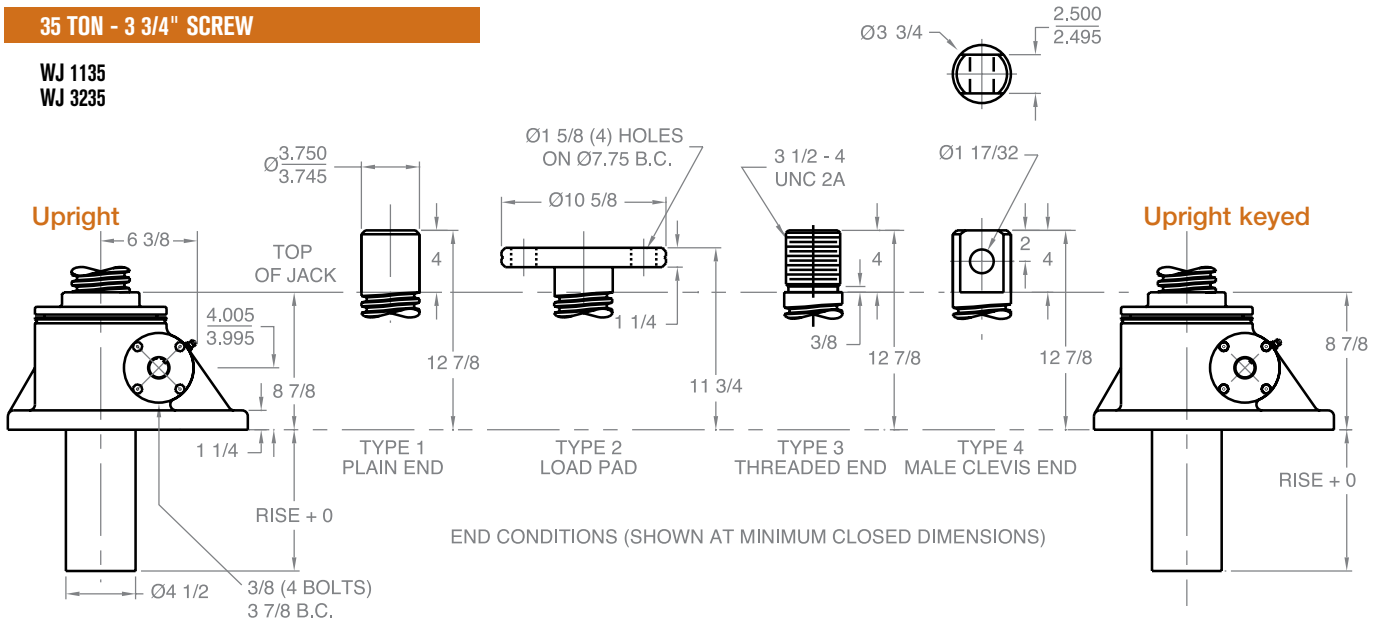


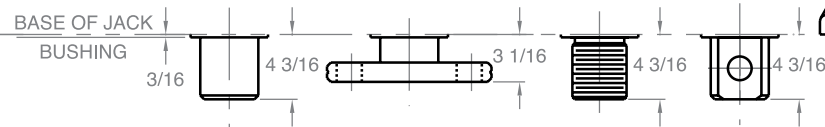
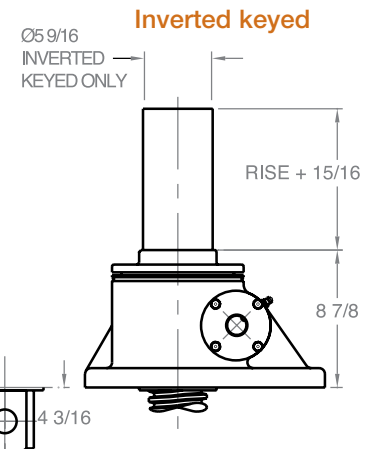
MACHINE SCREW JACKS

35 TON - 3 3/4" SCREW

WJ 1135
WJ 3235



FOR DOUBLE CLEVIS DESIGN CONTACT JOYCE



Note: Drawings are artist's conception — not for certification; dimensions are subject to change without notice.