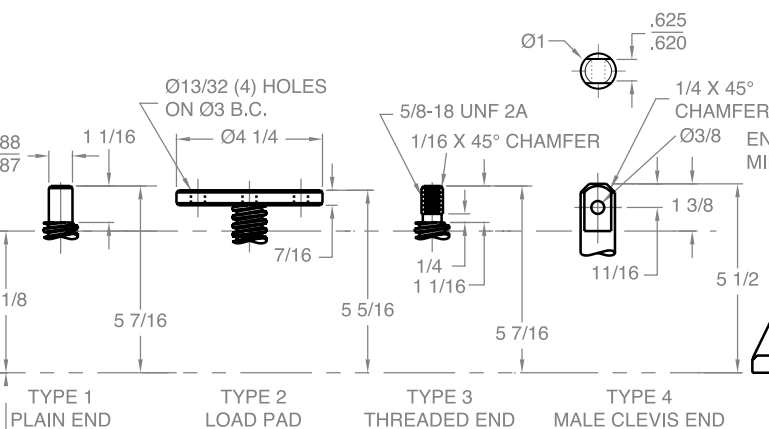
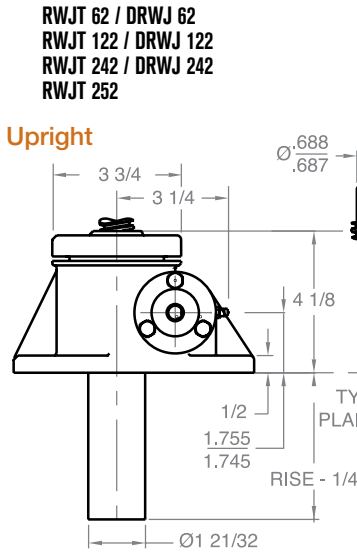


MACHINE SCREW JACKS

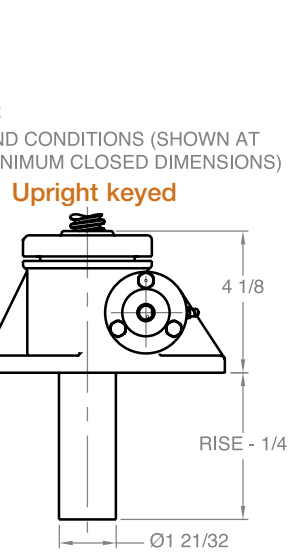
2 TON REVERSE BASE - 1" SCREW

RWJT 62 / DRWJ 62
 RWJT 122 / DRWJ 122
 RWJT 242 / DRWJ 242
 RWJT 252

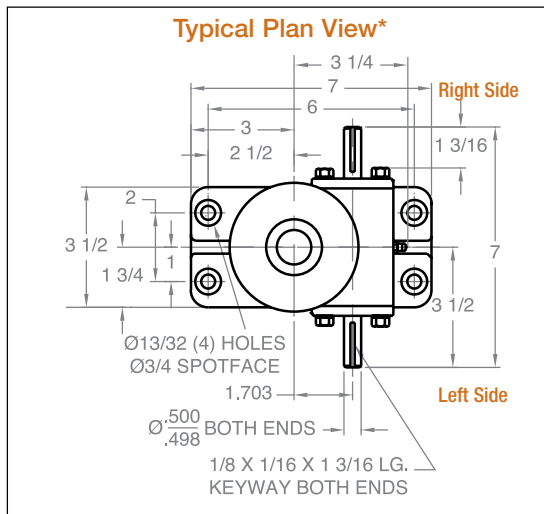
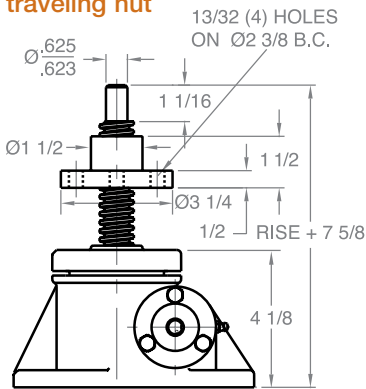
Upright



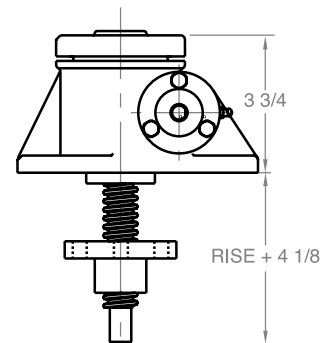
Upright keyed



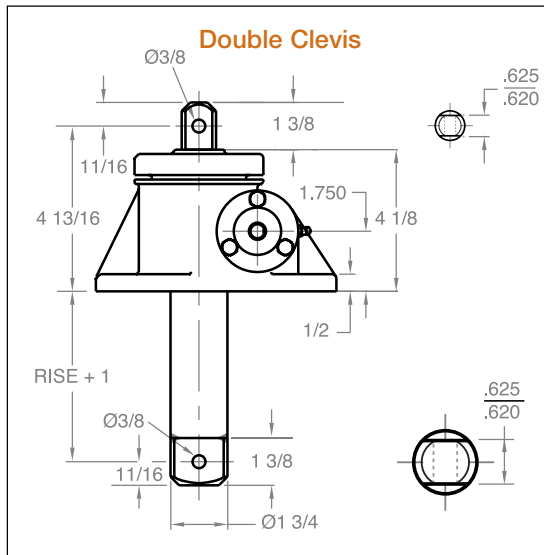
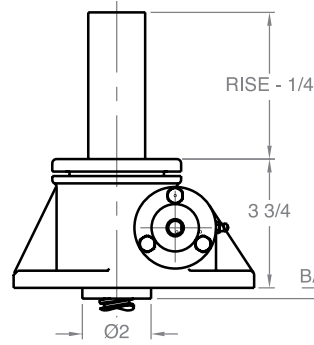
Upright traveling nut



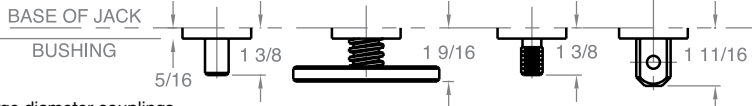
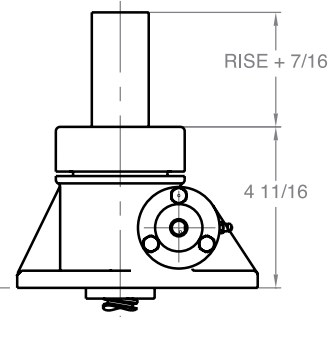
Inverted traveling nut



Inverted



Inverted keyed



*Ideal for DD motor mounts or for large diameter couplings.

Note: Drawings are artist's conception — not for certification; dimensions are subject to change without notice.