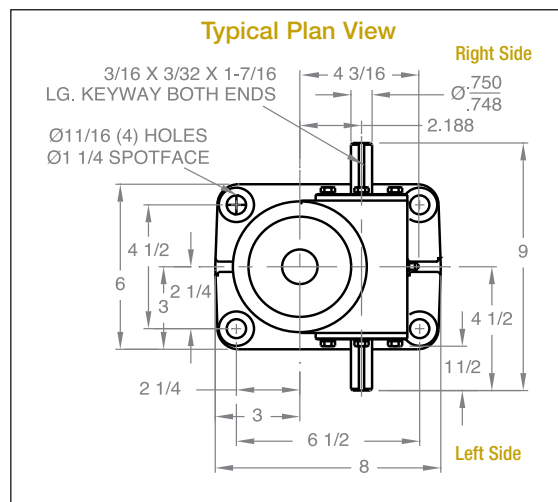
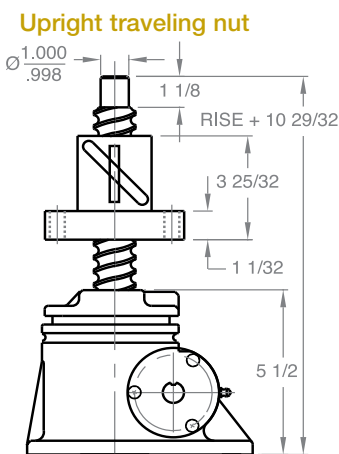
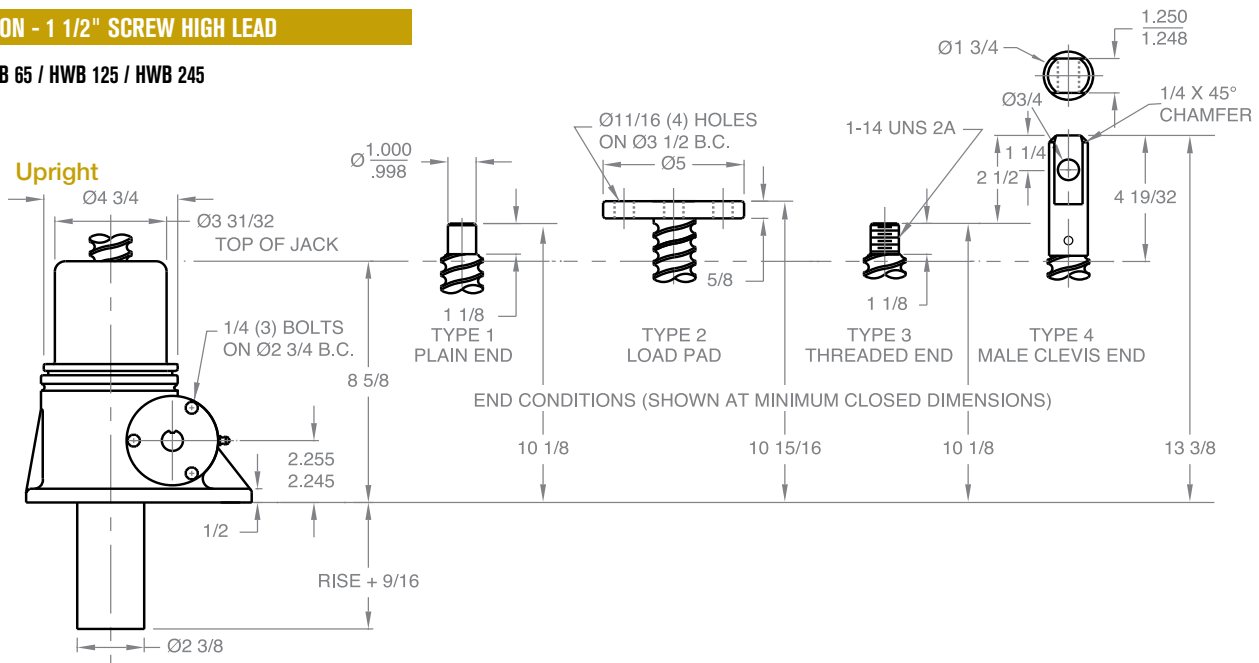


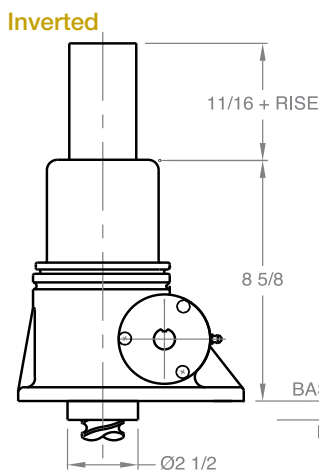
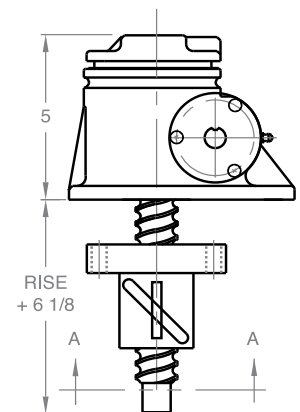
# BALL SCREW JACKS

5 TON - 1 1/2" SCREW HIGH LEAD

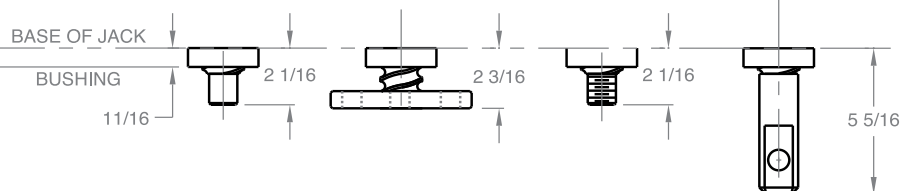
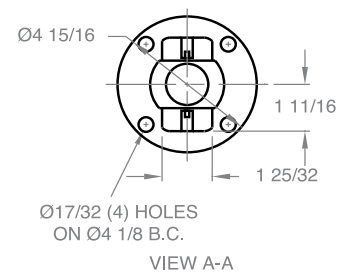
HWB 65 / HWB 125 / HWB 245



**Inverted traveling nut**



FOR DOUBLE CLEVIS DESIGN CONTACT JOYCE



Note: Drawings are artist's conception — not for certification; dimensions are subject to change without notice.