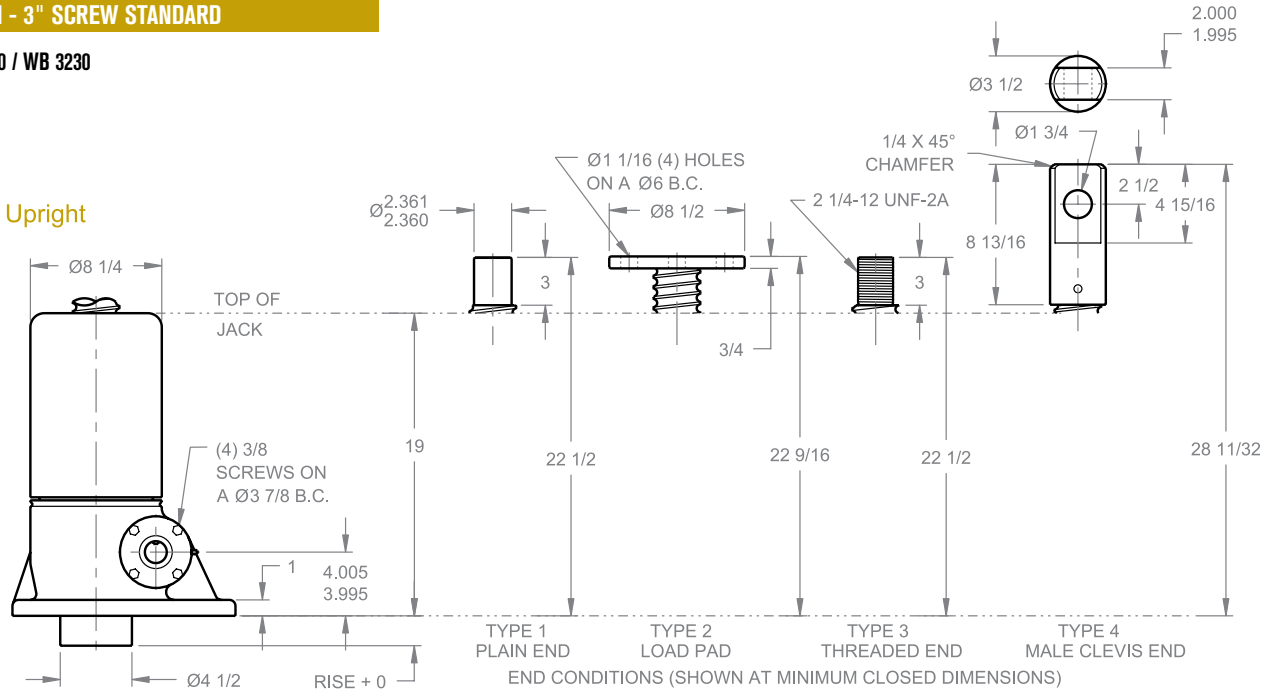


BALL SCREW JACKS

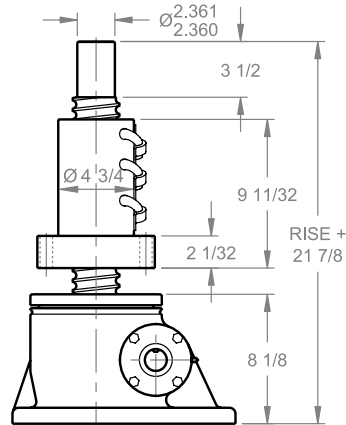
30 TON - 3" SCREW STANDARD

WB 1130 / WB 3230

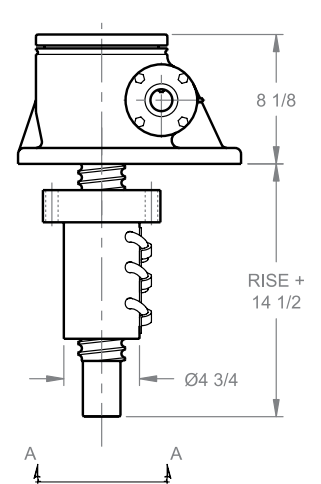
Upright



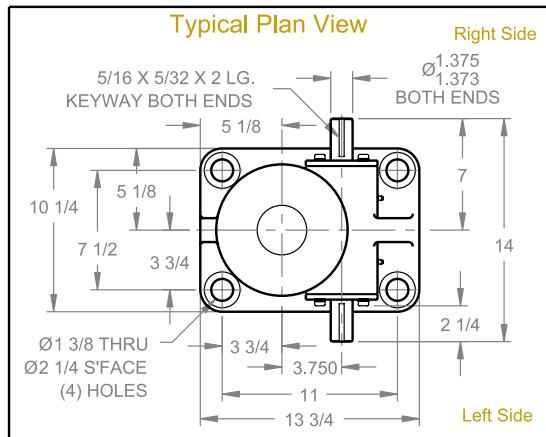
Upright traveling nut



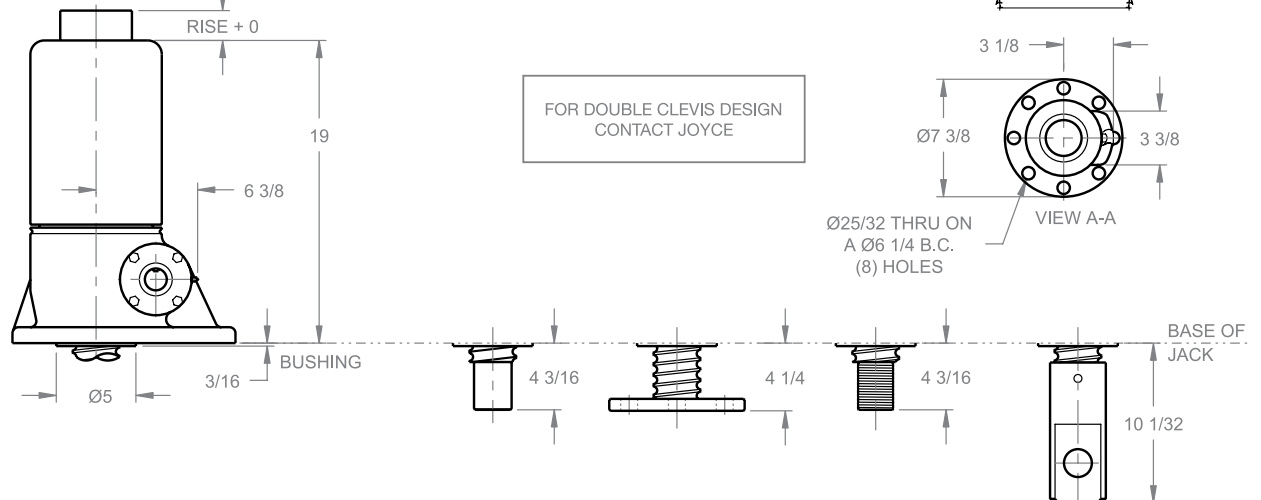
Inverted traveling nut



Typical Plan View



Inverted



Note: Drawings are artist's conception — not for certification; dimensions are subject to change without notice.