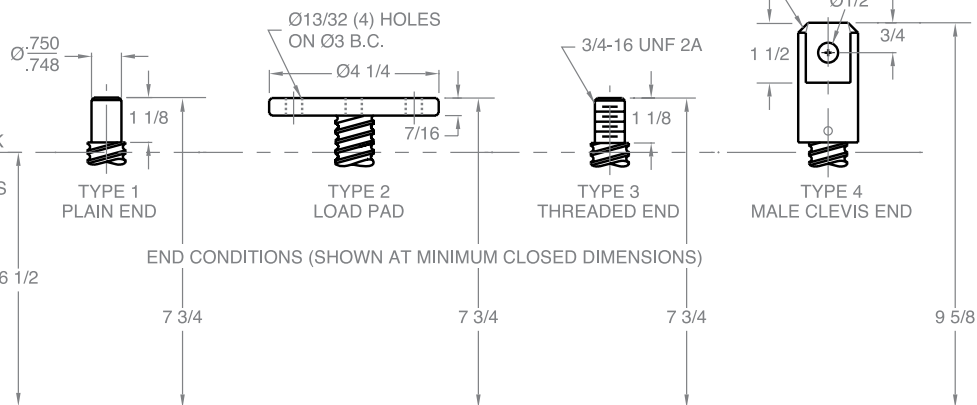
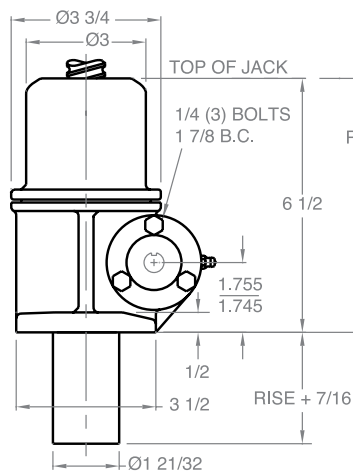


BALL SCREW JACKS

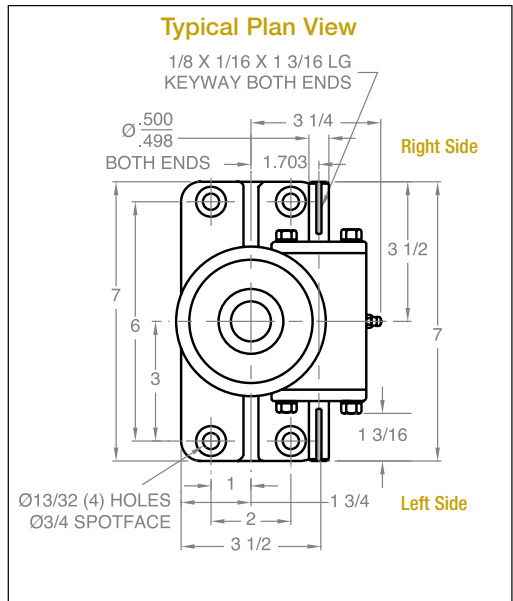
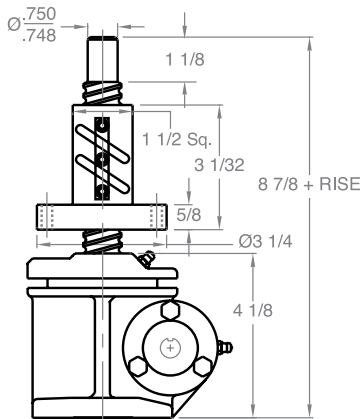
2 TON - 1" SCREW STANDARD

WB 62 / WB 122 / WB 242

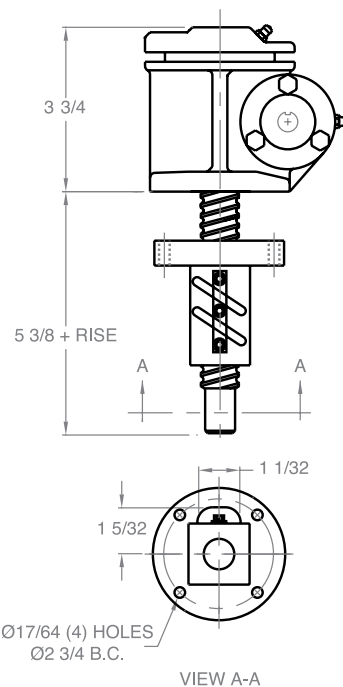
Upright



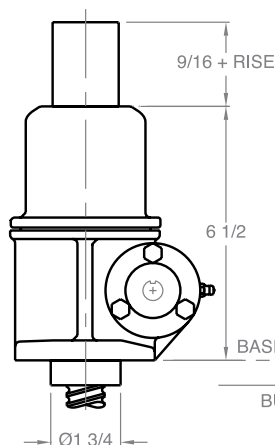
Upright traveling nut



Inverted traveling nut



Inverted



FOR DOUBLE CLEVIS DESIGN CONTACT JOYCE

Note: Drawings are artist's conception — not for certification; dimensions are subject to change without notice.