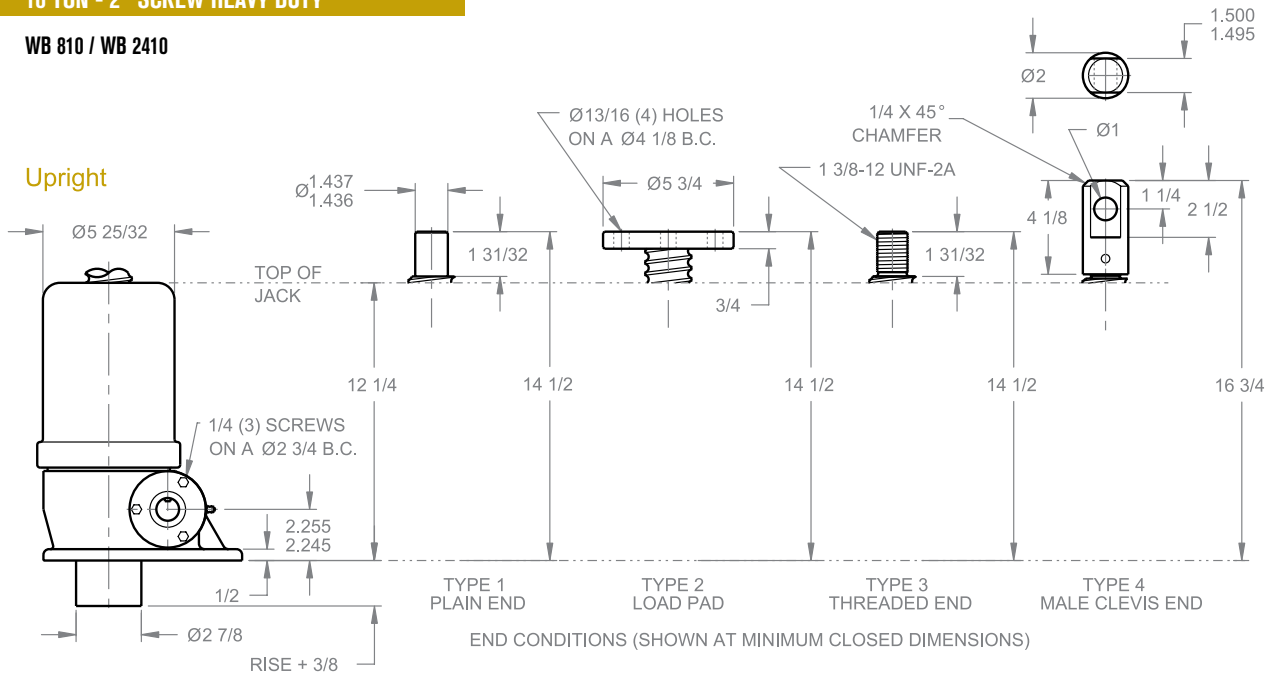


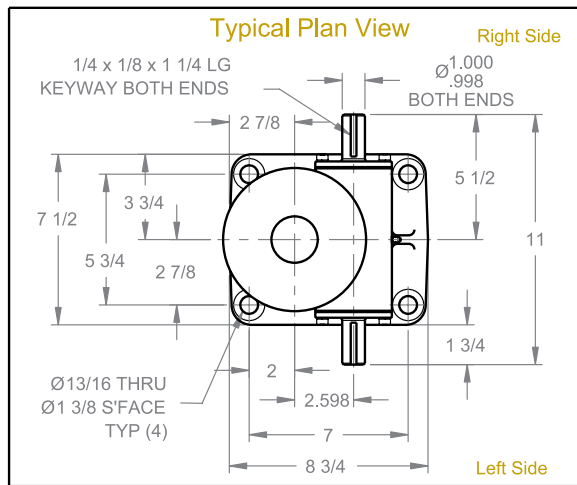
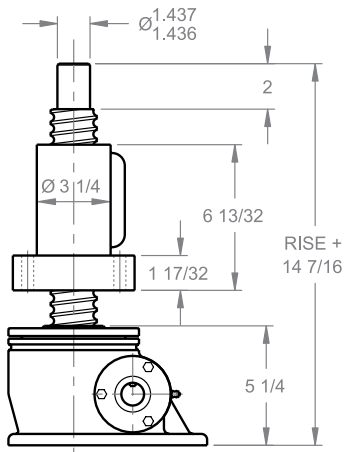
BALL SCREW JACKS

10 TON - 2" SCREW HEAVY DUTY

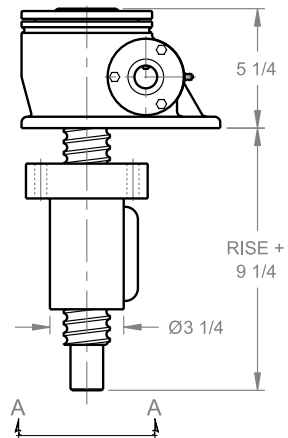
WB 810 / WB 2410



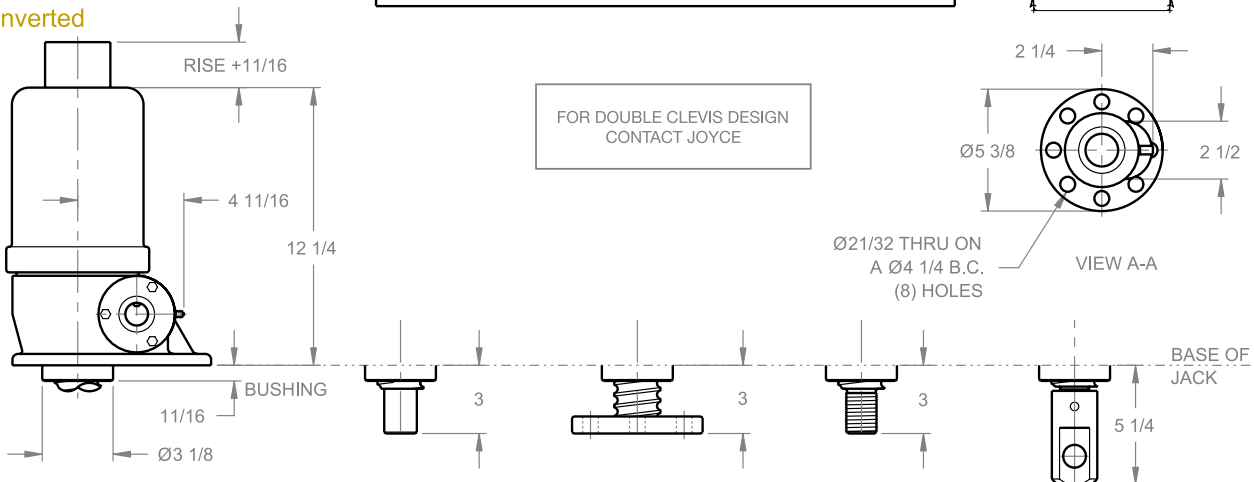
Upright traveling nut



Inverted traveling nut



Inverted



Note: Drawings are artist's conception — not for certification; dimensions are subject to change without notice.