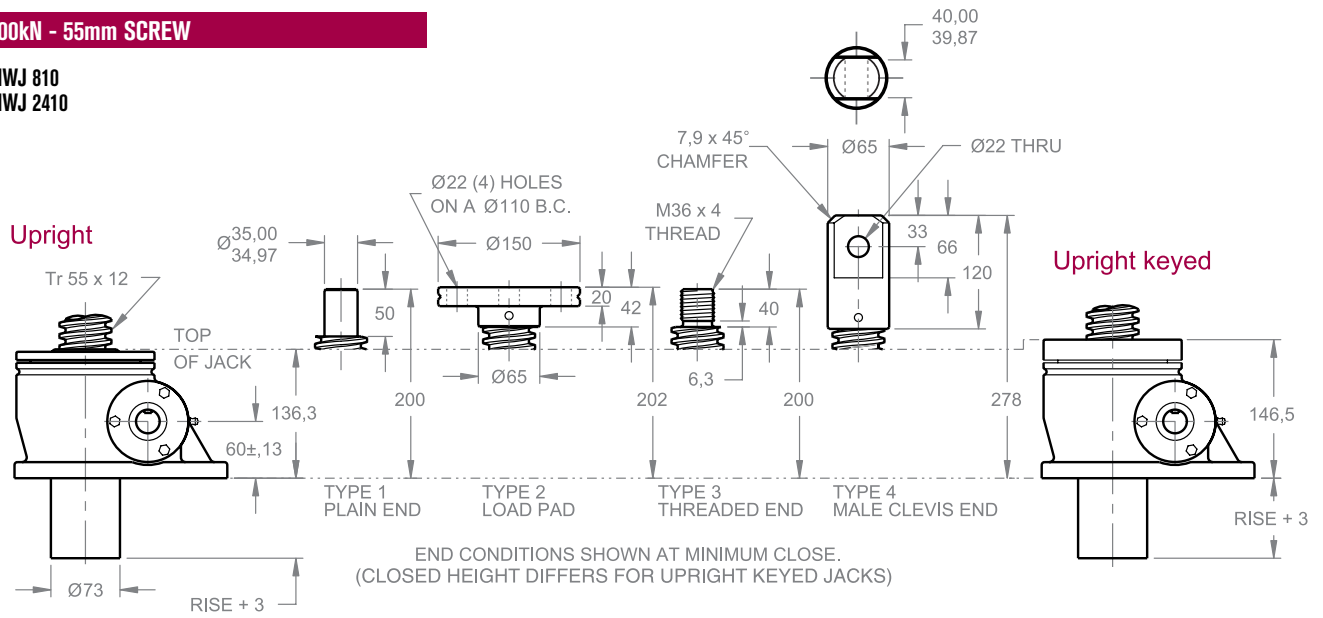


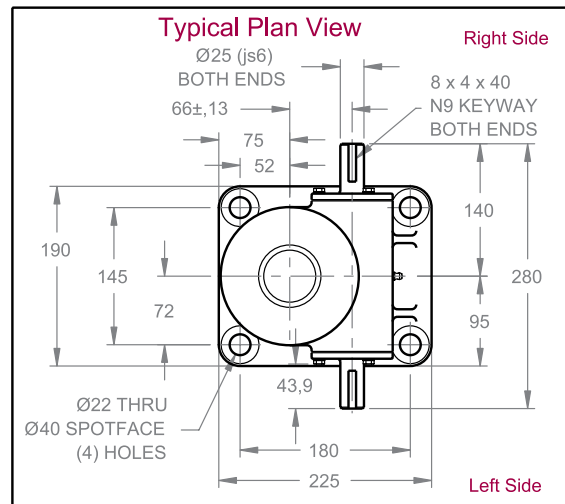
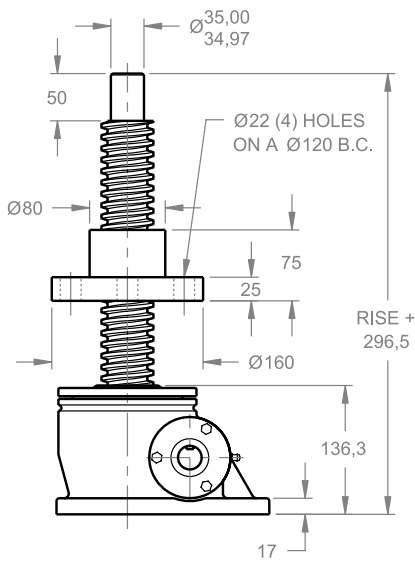
# METRIC SCREW JACKS

100kN - 55mm SCREW

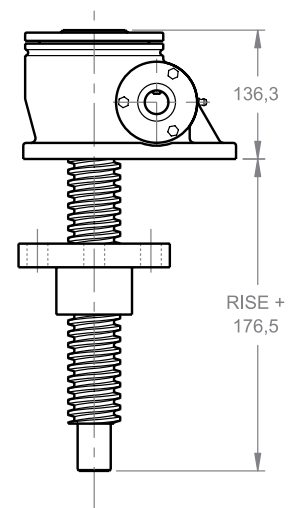
MWJ 810  
MWJ 2410



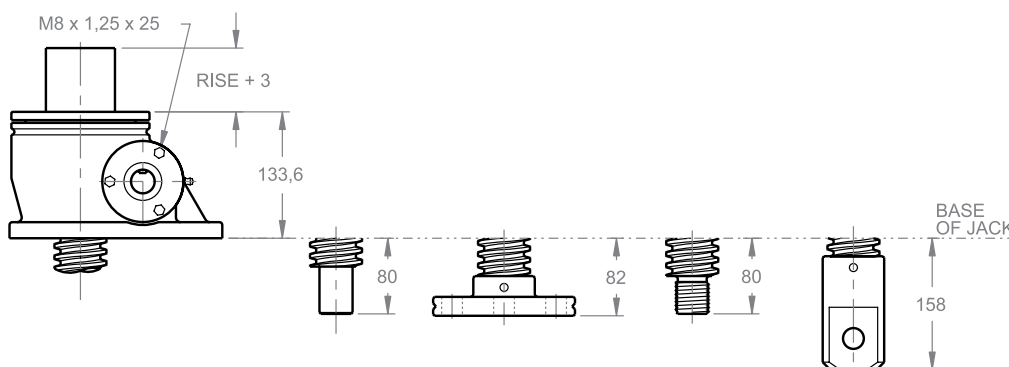
**Upright traveling nut**



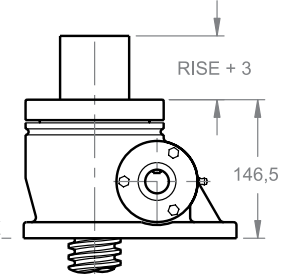
**Inverted traveling nut**



**Inverted**



**Inverted keyed**



Note: Drawings are artist's conception — not for certification; dimensions are subject to change without notice.