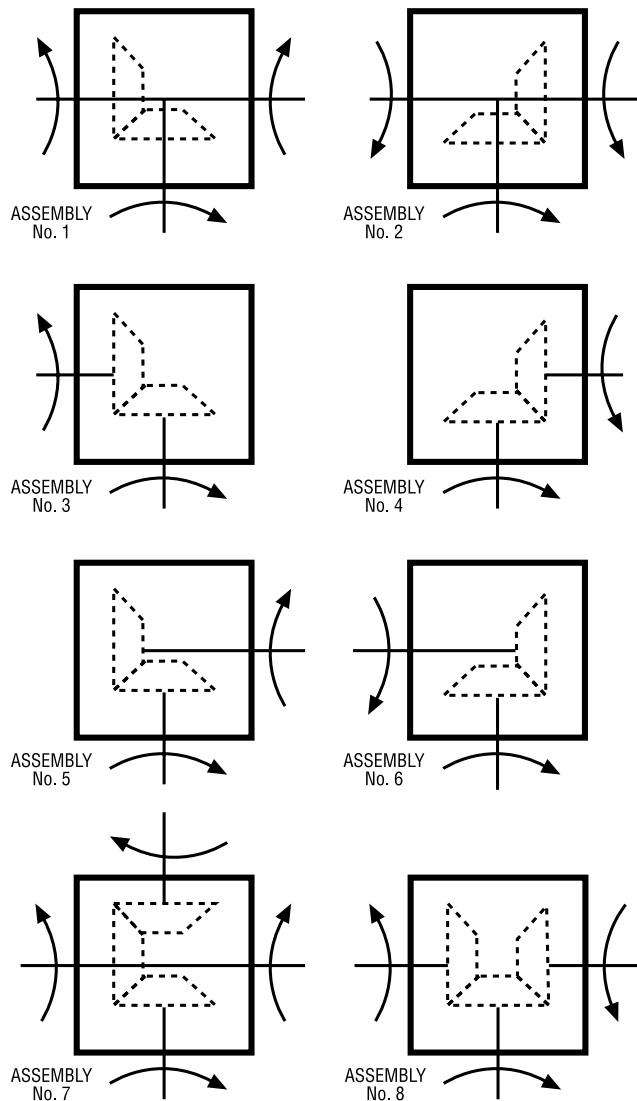


ACCESSORIES MITER GEAR BOXES

Joyce miter gear boxes are specifically engineered for use with Joyce jacks and actuators in multiple jack systems. Miter gear boxes used in such systems effectively raise unevenly distributed loads. When driven shaft turns per inch of travel are the same, total synchronization is assured because all models have a uniform lifting speed. Arrows in assembly drawings below indicate shaft rotation.

Standard Joyce miter gear boxes are available in 1:1 and 2:1 ratios. Other ratios are available in the RC series units. Four-shaft units are also available in the RC-18 through RC-204 and the MKA.



Assembly No. 7 and 8 availability:

- RC-18 RC-38
- RC-99 RC-204
- MKA



RC-6, RC-9 and RC-12



RC-15 through RC-204



MKA

Note: Drawings are artist's conception — not for certification; dimensions are subject to change without notice. When ordering miter gear boxes specify model numbers and assembly numbers.

ACCESSORIES MITER GEAR BOXES

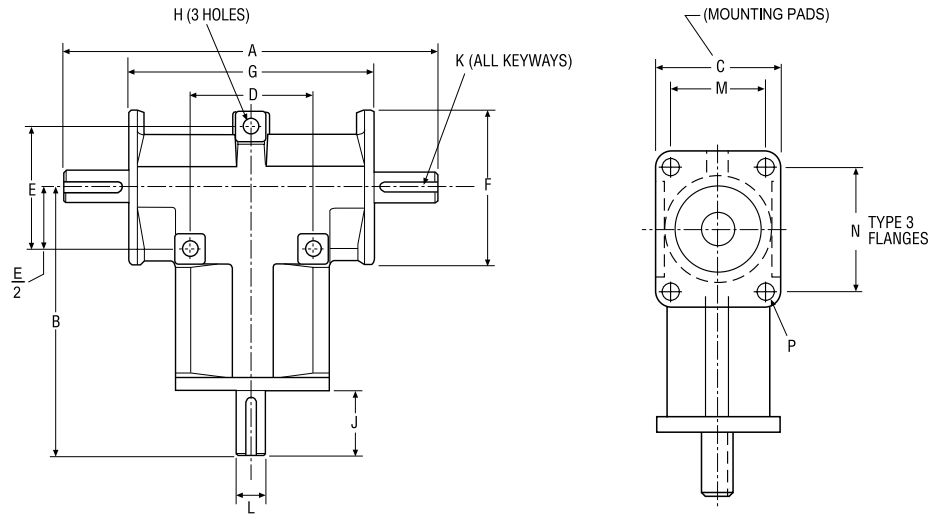
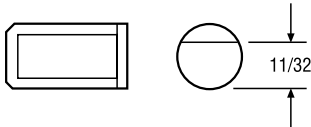
RC-6 THROUGH RC-12

Lubrication

Units are lifetime lubricated.

RC-6 shafts feature flats (shown below).

RC-9 and RC-12 models have keyways.



Model No.	Ratio	Max. Torque Rating (In. Lbs.)*	Max. HP @ 400 RPM	Max. RPM	A	B	C	D	E	F	G	H	J	K	L	M	N	P	Approx. Wt. (Lbs.)
RC-6	1:1	36	0.21	5,000	4 5/16	2 15/16	1 1/4	1 5/16	1 5/16	1 5/8	2 3/4	7/32	25/32		3/8	7/8	1 3/16	3/16	3/4
RC-6	2:1	12	0.06	5,000	4 5/16	2 15/16	1 1/4	1 5/16	1 5/16	1 5/8	2 3/4	7/32	25/32		3/8	7/8	1 3/16	3/16	3/4
RC-9	1:1	130	0.75	5,000	7 3/8	4 13/16	2	1 7/8	1 7/8	2 1/2	4 1/4	9/32	1 9/16	3/16 x 1 3/8	5/8	1 3/8	1 7/8	9/32	3
RC-9	2:1	51	0.30	5,000	7 3/8	4 13/16	2	1 7/8	1 7/8	2 1/2	4 1/4	9/32	1 9/16	3/16 x 1 3/8	5/8	1 3/8	1 7/8	9/32	3
RC-12	1:1	382	2.17	5,000	9 1/8	6 9/16	3	3	3	3 7/8	6	3/8	1 9/16	3/16 x 1 3/8	3/4	2 1/4	3	3/8	8
RC-12	2:1	148	0.85	5,000	9 1/8	6 9/16	3	3	3	3 7/8	6	3/8	1 9/16	3/16 x 1 3/8	3/4	2 1/4	3	3/8	8

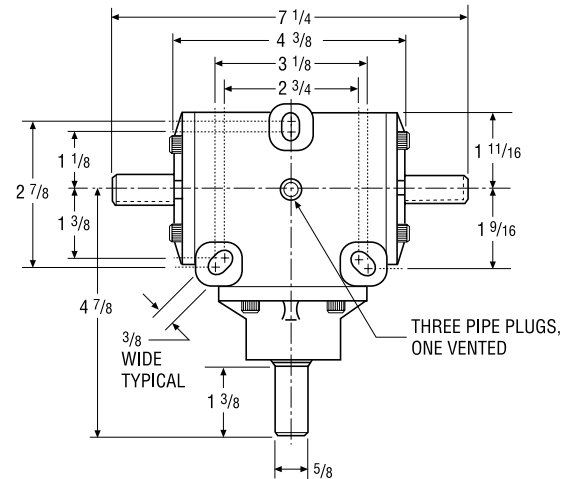
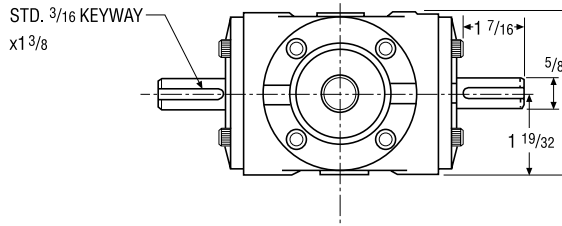
* Torque @ 100 RPM and 750 hours of life.

RC-15

Lubrication

Fill with 6 ounces. EP-90 gear oil for normal operation. Units are shipped less lubricant.

Dimensions are representative of 1:1 ratio miter boxes.



Model No.	Ratio	Max. Torque Rating (In. Lbs.)*	Max. HP @ 400 RPM	Max. RPM	Approx. Weight (Lbs.)
RC-15	1:1	357	2.03	5,000	5
RC-15	2:1	151	0.87	5,000	5

* Torque @ 100 RPM and 750 hours of life.

Note: Drawings are artist's conception — not for certification; dimensions are subject to change without notice.

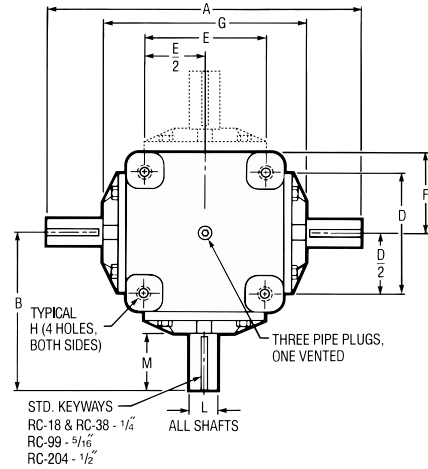
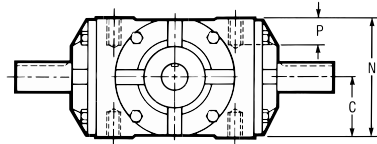
ACCESSORIES MITER GEAR BOXES

RC-18 THROUGH RC-204

Lubrication

Units shipped less lubricant.
Fill with EP-90 gear oil.

Model RC-18	1 pint
Model RC-38	1 1/2 pints
Model RC-99	4 1/2 pints
Model RC-204	8 pints



Model No.	Ratio	Max. Torque Rating (In. Lbs.)*	Max. HP @ 400 RPM	Max. RPM	A	B	C	D	E	F	G	H	L	M	N	P	Approx. Wt. (Lbs.)
RC-18	1:1	2154	10.78	3000	11	5 1/2	2 1/16	4 1/4	4 1/4	2 3/4	7	3/8 - 16	.9950 .9980	2	4 1/8	11/16	26
RC-18	2:1	569	3.24	5000	11	7 3/8	2 1/16	4 1/4	4 1/4	2 3/4	7	3/8 - 16	.9950 .9980	2	4 1/8	11/16	26
RC-38	1:1	4776	23.08	2200	13	6 1/2	2 13/16	4 1/2	4 1/2	2 7/8	8	1/2 - 13	1.2495 1.2480	2 1/2	5 5/8	7/8	39
RC-38	2:1	1211	6.85	4400	13	8 3/8	2 13/16	4 1/2	4 1/2	2 7/8	8	1/2 - 13	1.2495 1.2480	2 1/2	5 5/8	7/8	39
RC-99	1:1	13300	69.78	1600	16 1/2	8 1/4	3 3/4	6	6	4 1/8	10 5/8	1/2 - 13	1.3745 1.3730	2 15/16	7 1/2	1 3/8	72
RC-99	2:1	3446	19.24	3100	16 1/2	11 11/16	3 3/4	6	6	4 1/8	10 5/8	1/2 - 13	1.3745 1.3730	2 15/16	7 1/2	1 3/8	72
RC-204	1:1	29035	155.76	1200	19	9 1/2	4 3/4	8	8	4 15/16	13	5/8 - 11	1.9995 1.9980	3	9 1/2	1 1/4	172
RC-204	2:1	8156	45.05	2300	19	9 1/2	4 3/4	8	8	4 15/16	13	5/8 - 11	1.9995 1.9980	3	9 1/2	1 1/4	172

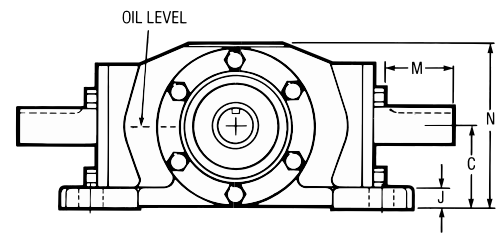
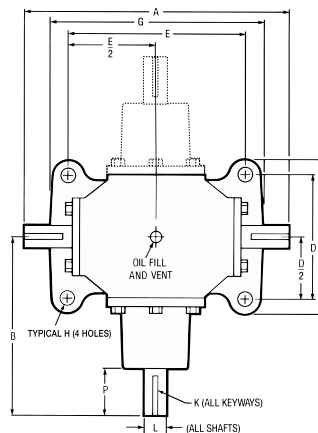
*Torque @ 100 RPM and 750 hours of life.

MKA

Lubrication

Units shipped less lubricant.
Fill with EP-90 gear oil.

Model MKA	1 1/4 pints
-----------	-------------



Model No.	Max. Torque Rating (In. Lbs.)	A	B	C	D	E	F	G	H	J	K	L	M	N	P	Approx. Wt. (Lbs.)
MKA	3,000	12	8	2 1/4	5 1/2	8	6 7/8	9 9/16	11/16	1/2	1/4 x 1/8 x 1 1/2	1.0005 .9995	1 31/32	4 9/16	2 1/8	33

Note: Drawings are artist's conception — not for certification; dimensions are subject to change without notice.