

OPTIONS LIMIT SWITCHES

Rugged Joyce limit switches allow you to set precise travel limits on Joyce jacks and actuators. They are also ideal in any application where rotary motion of a machine component can be used to indicate linear motion of another part. They are compatible with 2-ton through 150-ton jacks, electric cylinders, and integrated actuators.

LS7 Limit Switch



The LS7 limit switch has two Single-Pole, Double-Throw (SPDT) switch contacts. This switch offers a NEMA 4 rated enclosure which is rated for dust, rain and hose-directed water. To set switches, first remove the cover plate and "L" bracket, then manually rotate the cams to desired positions. This switch is also compatible with integrated actuators.

LS8 Limit Switch

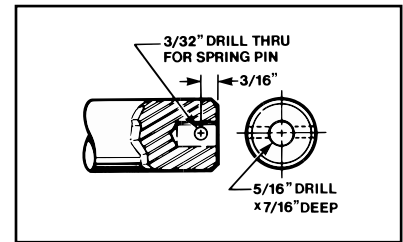


The LS8 limit switch is best suited for general-purpose applications requiring up to four switch contacts for operating motors, lights and other accessories. It is available in two models: the LS8 402 (two-switch model) and the LS8 404 (four-switch model). Both LS8 models offer a NEMA 4 rated enclosure which is rated for dust, rain and hose directed water. To set the limit switches simply loosen a cam detent screw and rotate the switch trip cam to the desired position.

Note: "How to" videos can be found at joycedayton.com.

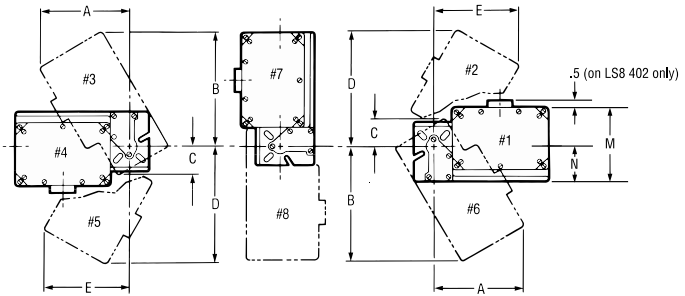


Shaft Detail

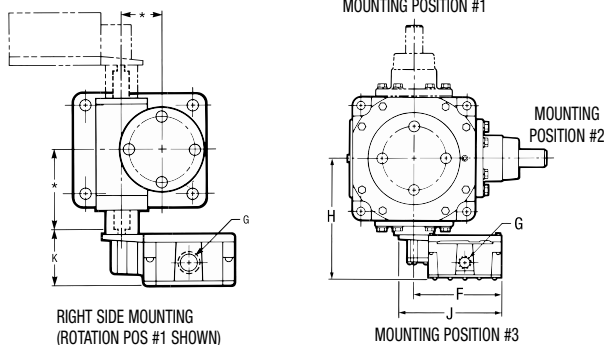


Dimensions															
Type	A	B	C	D	E	F	G	H BG150 BB150	H BG250 BB225	H BG375 BB300	H BG450 BB400	J	K	M	N
LS7 402	3.81	6.13	1.75	5.44	5.00	5.63	1/2 NPT	7.63	9.00	10.13	15.22	7.0	3.28	3.88	2.63
LS8 402	5.50	6.62	2.00	6.75	5.25	6.25	3/4 NPT	7.88	9.25	10.38	15.47	7.62	3.53	5.25	2.46
LS8 404	6.50	8.38	2.00	8.50	6.25	8.25	1 NPT	8.62	10.00	11.19	16.47	9.62	4.53	5.25	2.46

LS8 (400 Series) Switch Combination Chart					
Switch Quantity	Single Pole Double Throw (SPDT)				
	0	1	2	3	4
D.	0		402		404
P.	1	402		404	
D.	2	402	404		
T.	3		404		
	4	404			



Rotation positions shown looking into end of shaft.



Note:

- 2, 2.5, 3, 5, 10, 15 and 20-ton jacks or electric cylinders are available with limit switch positions #1, #3, and #5.
- 25, 30, 35, 50 and 75-ton jacks are available in with limit switch positions #1, #4, #7 and #8.
- Limit switches on Bevel Gear® jacks may be mounted in any position.