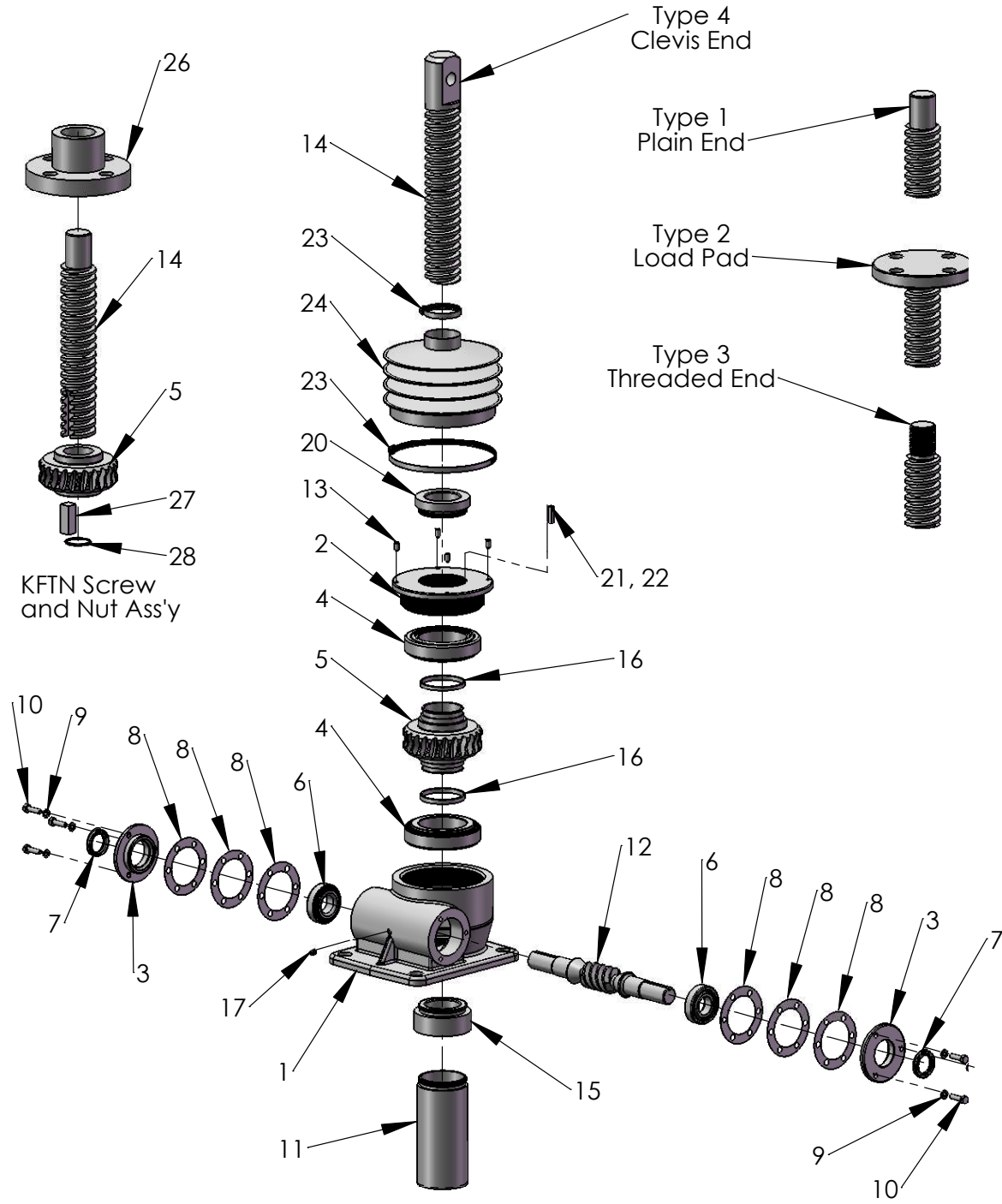


### 3-1 Exploded View

PARTS LIST FOR ALL JOYCE STANDARD STAINLESS STEEL MACHINE SCREW JACKS  
 MODELS "SWJ", "DSWJ", "RSWJ", And "DRSWJ" Translating Screw,  
 Keyed, and Keyed For Traveling Nut Versions  
 (Upright Style shown for illustration)

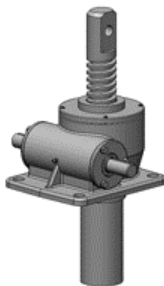


### 3-2 Parts List – Translating and KFTN jacks

**Parts list Table**

Item	Translating	Item	KFTN- Keyed For Traveling Nut
1	Sleeve	1	Sleeve
2	Sleeve Cap	2	Sleeve Cap
3	Bearing Cap (2)	3	Bearing Cap (2)
4	Thrust Bearing	4	Thrust Bearing
5	Wormgear	5	Wormgear
6	Worm Shaft Bearing (2)	6	Worm Shaft Bearing (2)
7	Worm Shaft Seal (2)	7	Worm Shaft Seal (2)
8	Shims	8	Shims
9	Bearing Cap Lockwasher (6-8)	9	Bearing Cap Lockwasher (6-8)
10	Bearing Cap Screw (6-8)	10	Bearing Cap Screw (6-8)
11	Protection Tube	12	Worm (Input Shaft)
12	Worm (Input Shaft)	13	Set Screw - sleeve cap (4)
13	Set Screw – sleeve cap (4)	14	Lifting Screw
14	Lifting Screw	16	Seal (2)
15	Protection Tube Adapter	17	Grease Fitting
16	Seal (2)	18	Drive Screw (2)
17	Grease Fitting	19	Name Plate
18	Drive Screw (2)	20	Flange Bushing
19	Name Plate	23	Boot Clamp
20	Flange Bushing	24	Bellows Boot
21	Key– keyed jacks only	26	Traveling Nut
22	Key screw* – keyed jacks only	27	Key - KFTN
23	Boot Clamp	28	Retaining Ring
24	Bellows Boot		

### Styles



**Upright**



**Inverted**