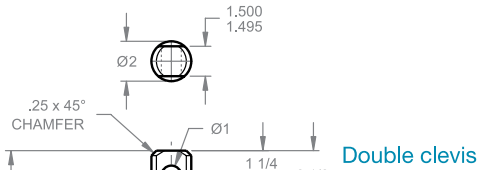
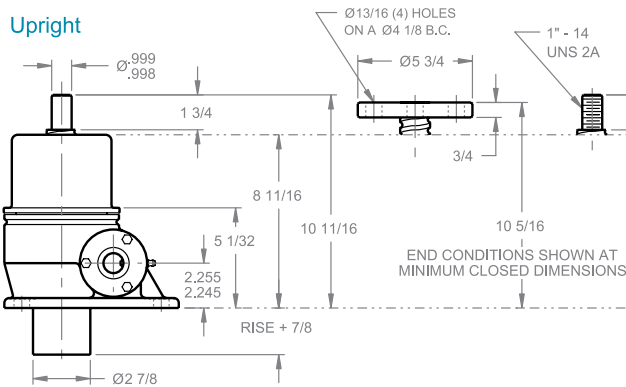


BALL SCREW ComDRIVES®

10 TON - 1 1/2" SCREW STANDARD HIGH LEAD

CDHBL 810
CDHBL 2410

Upright



Double clevis

REDUCER DIMENSIONS

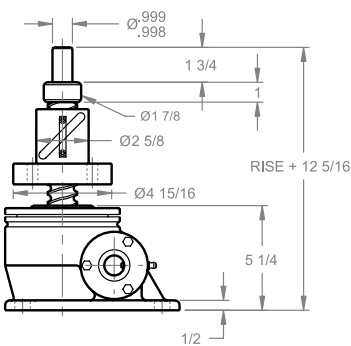
HP	1, 1 1/2, 2	3, 5
A	8 11/32	8 29/32
B	11 21/32	13 17/32
C	1 3/4	2 5/8
D	3 3/8	4 7/16
E	8 7/16	11 11/16
F	2 3/4	3 7/8
G	4 15/32	4 15/32
H	0	1 1/8
J	4 11/16	5 3/4
K	3 11/32	4 5/16

RISE + 2 3/8
DOUBLE CLEVIS
SHOWN 90° FROM
TRUE POSITION

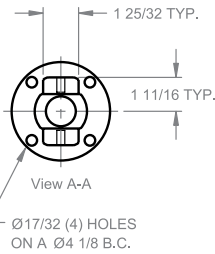
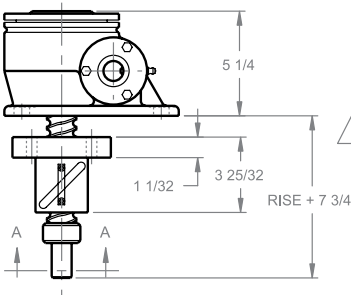
HP	DIM.
1	10 1/4
1-1/2	
2	11 1/4
3	17 3/8
5	18 3/4

HP	DIM.
1	4 9/16
1-1/2	
2	
3	
5	7 9/16

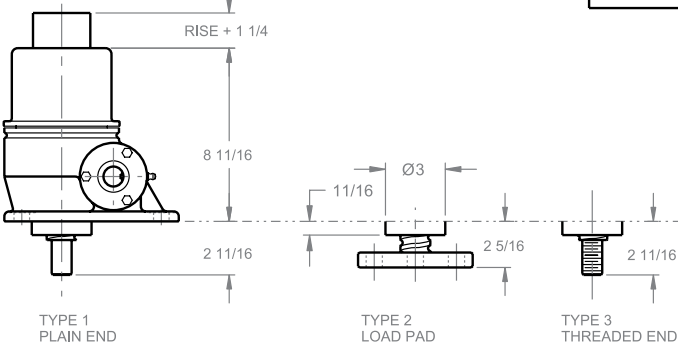
Upright traveling nut



Inverted traveling nut



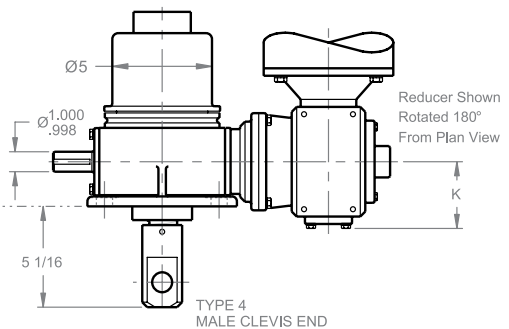
Inverted



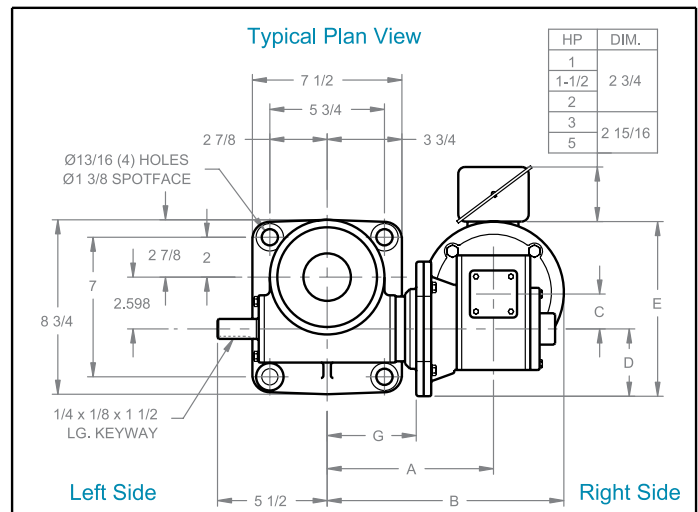
TYPE 1
PLAIN END

TYPE 2
LOAD PAD

TYPE 3
THREADED END



TYPE 4
MALE CLEVIS END



Typical Plan View

HP	DIM.
1	10 1/4
1-1/2	
2	11 1/4
3	17 3/8
5	18 3/4

NOTE: FOR LIFTING CAPACITIES SEE PAGE 107.

Note: Drawings are artist's conception — not for certification; dimensions are subject to change without notice.