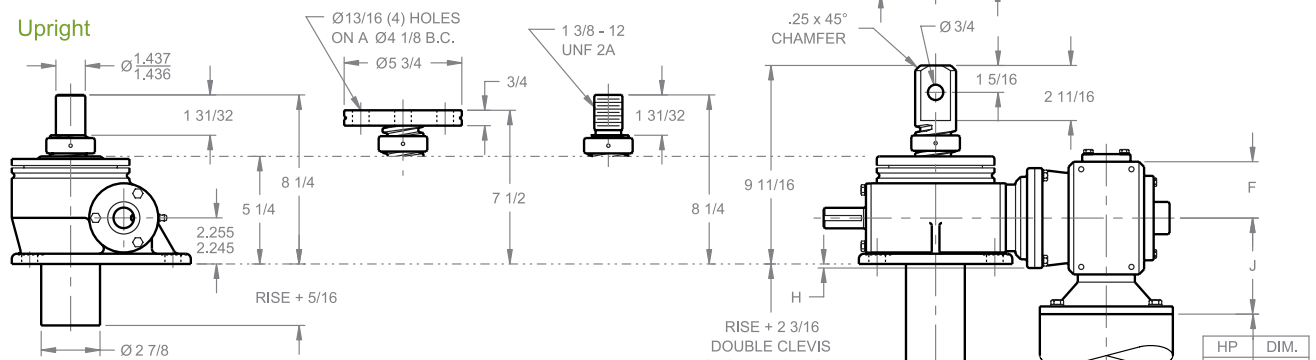


MACHINE SCREW ComDRIVES®

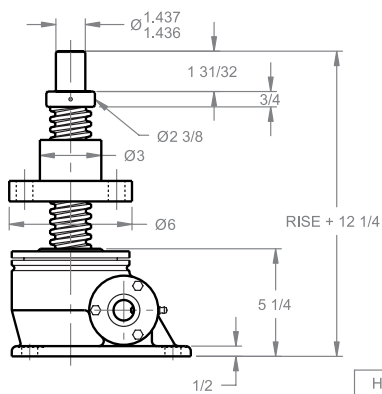
10 TON - 2" SCREW

CD 810 / DCD 810
CD 2410 / DCD 2410

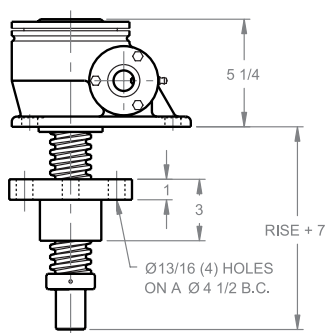
Upright



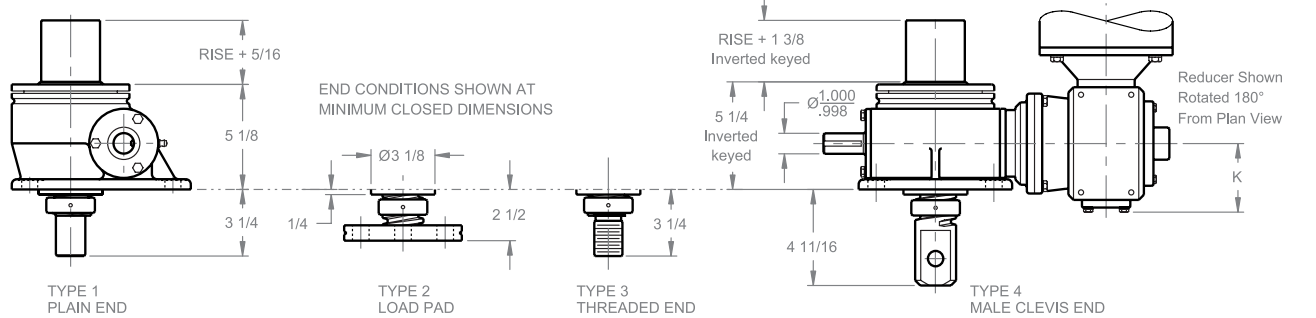
Upright traveling nut



Inverted traveling nut



Inverted



NOTE: FOR LIFTING CAPACITIES SEE PAGE 49

Note: Drawings are artist's conception — not for certification; dimensions are subject to change without notice.

REDUCER DIMENSIONS			
HP	1, 1 1/2, 2	3, 5	
A	8 11/32	8 29/32	
B	11 21/32	13 17/32	
C	1 3/4	2 5/8	
D	3 3/8	4 7/16	
E	8 7/16	11 11/16	
F	2 3/4	3 7/8	
G	4 15/32	4 15/32	
H	3/16	1 5/8	
J	4 11/16	5 3/4	
K	3 11/32	4 5/16	

