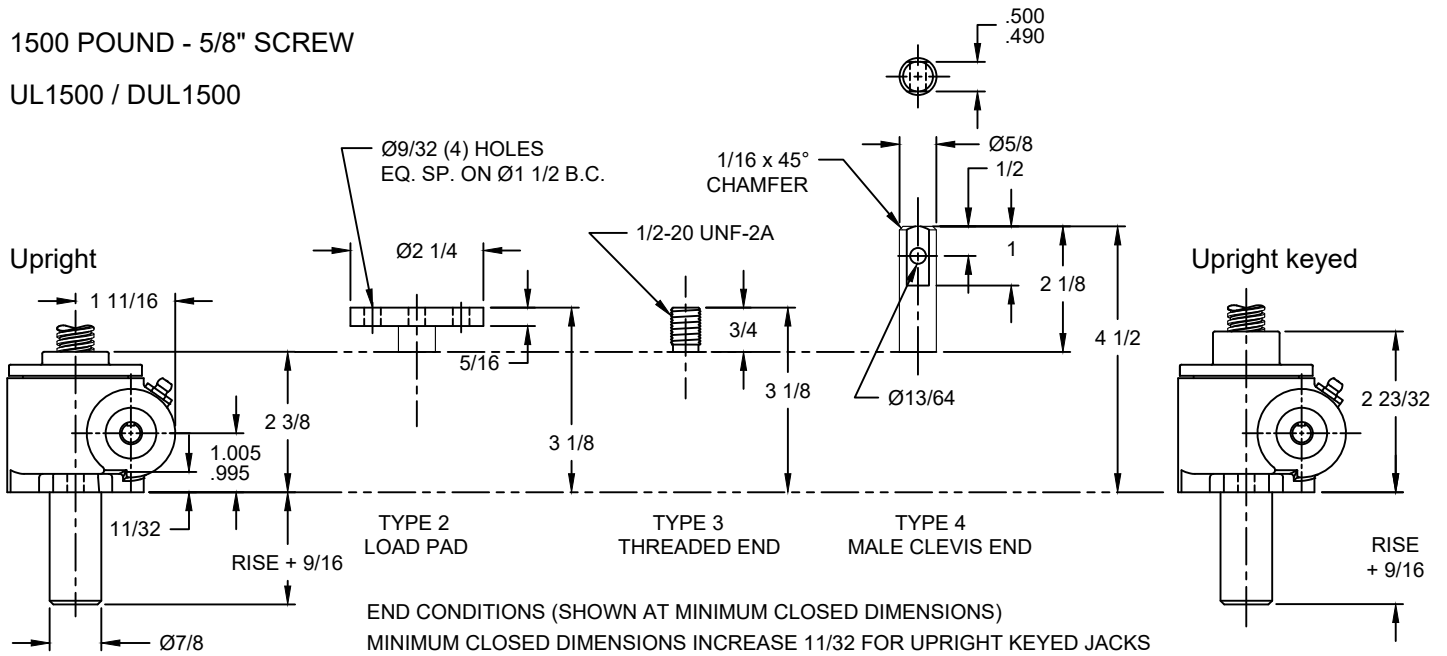
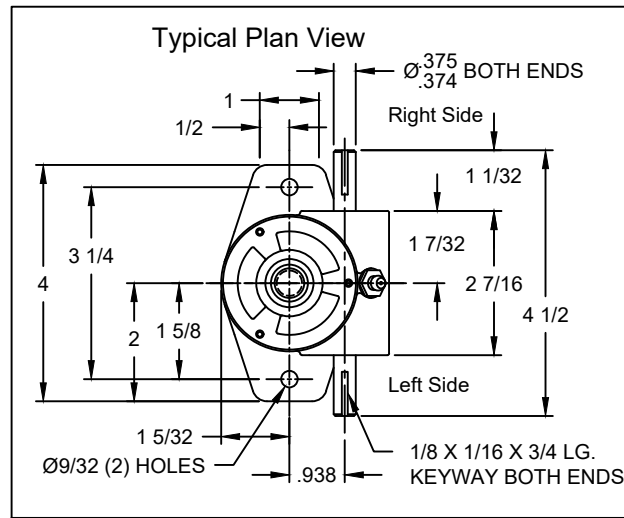
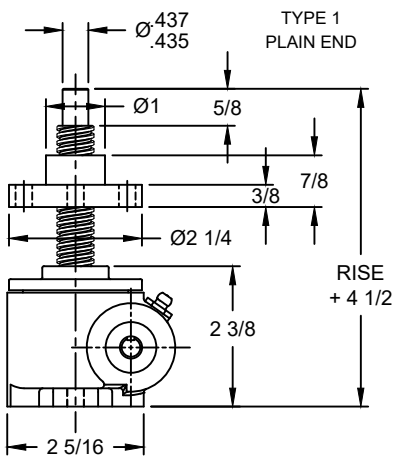


1500 POUND - 5/8" SCREW

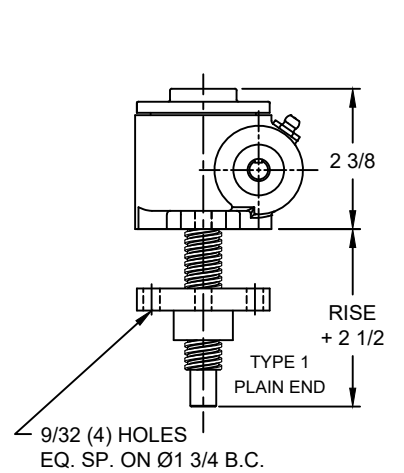
UL1500 / DUL1500



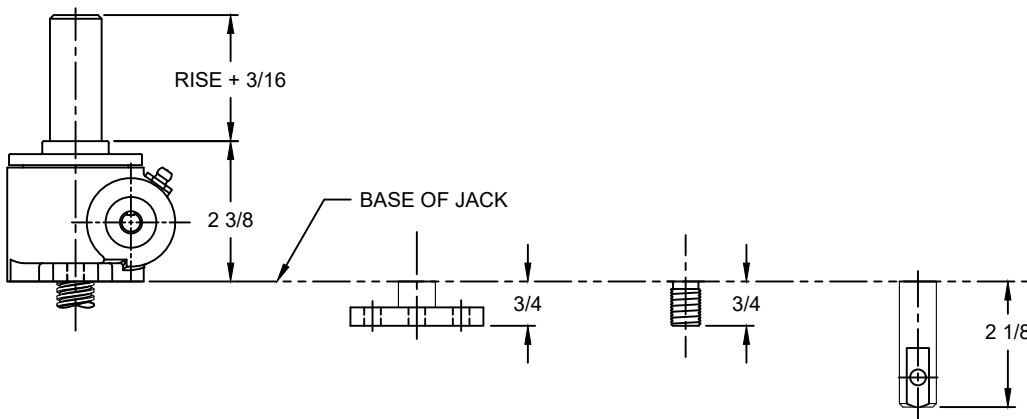
Upright traveling nut



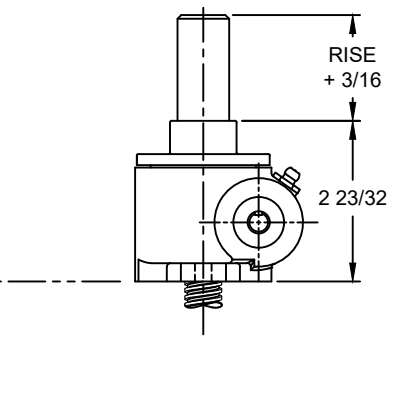
Inverted traveling nut



Inverted



Inverted keyed



Material Notes: Housing and protection tube are aluminum. Lifting screw is cold drawn steel (CDS). Input shaft (worm) is CDS.
 Note: Drawings are artist's conception - not for certification; dimensions are subject to change without notice.