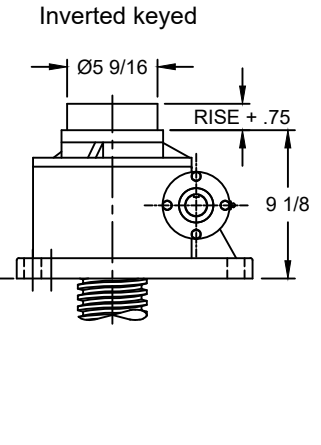
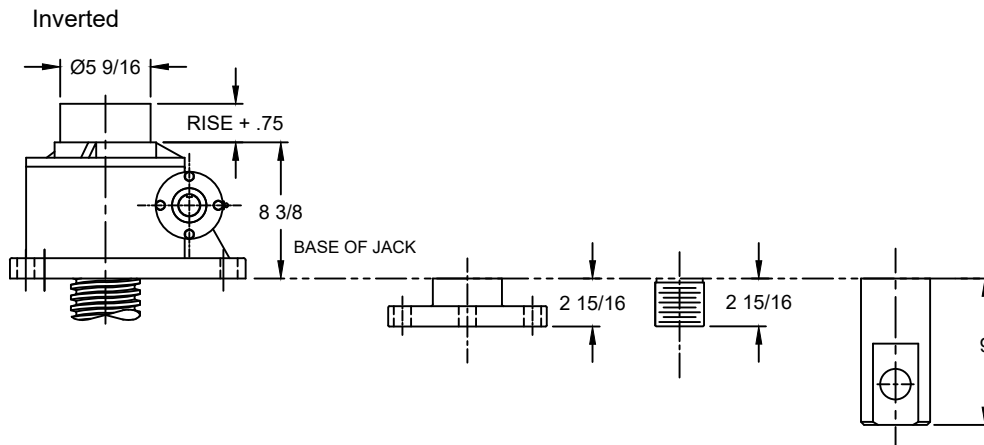
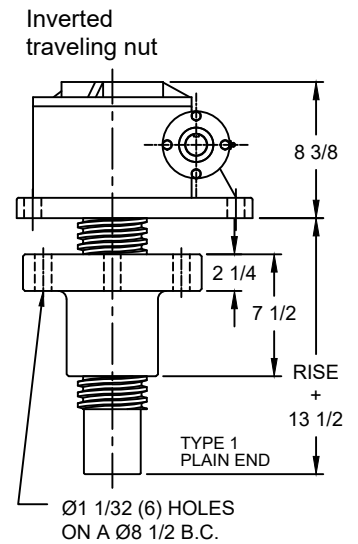
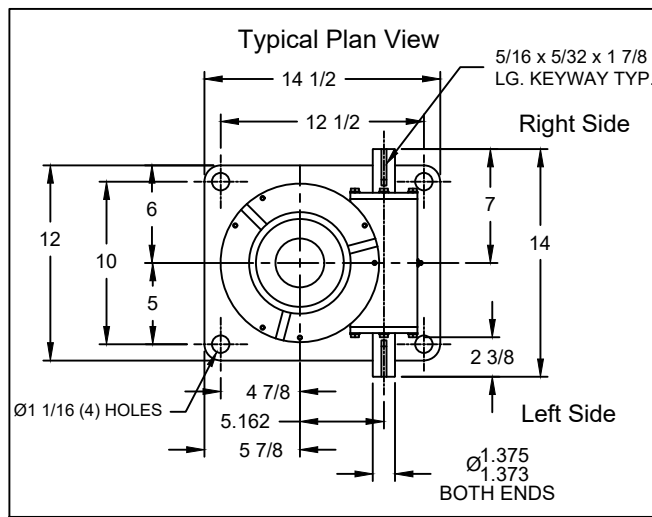
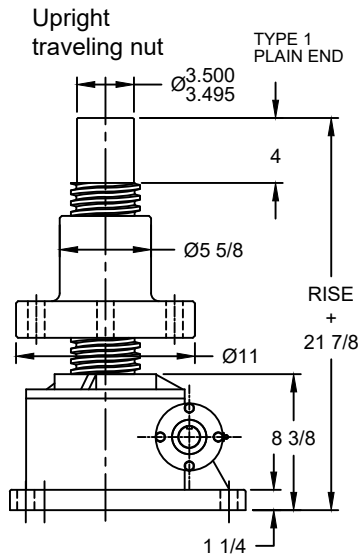
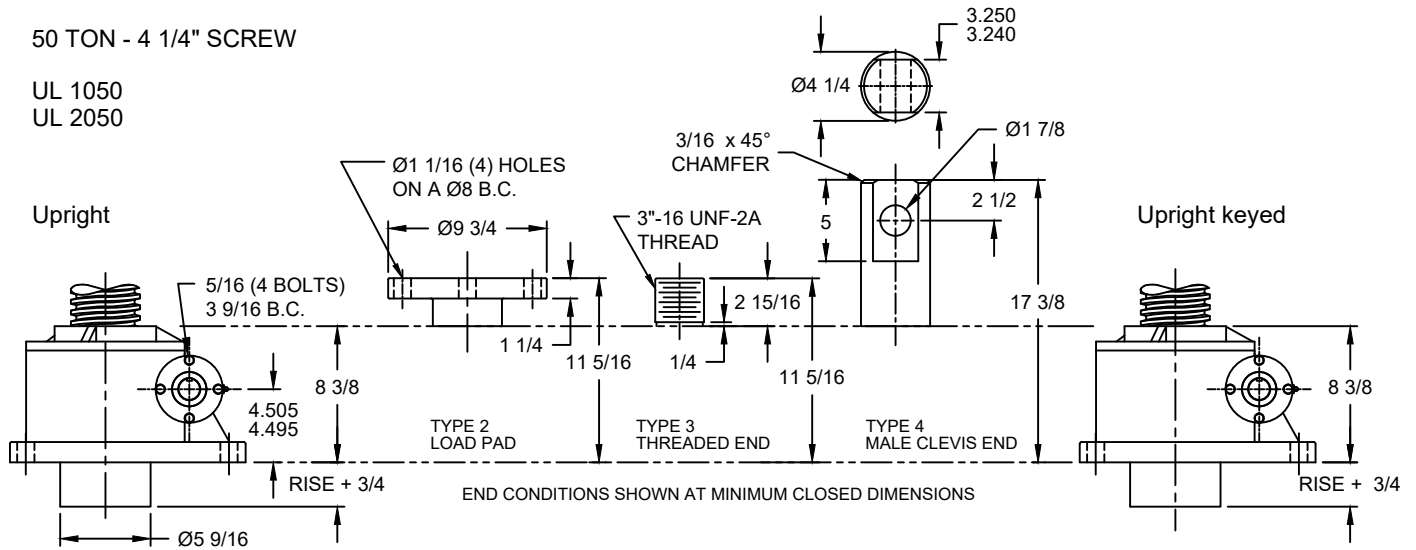


50 TON - 4 1/4" SCREW

UL 1050
UL 2050



Note: Drawings are artist's conception - not for certification; dimensions are subject to change without notice.