

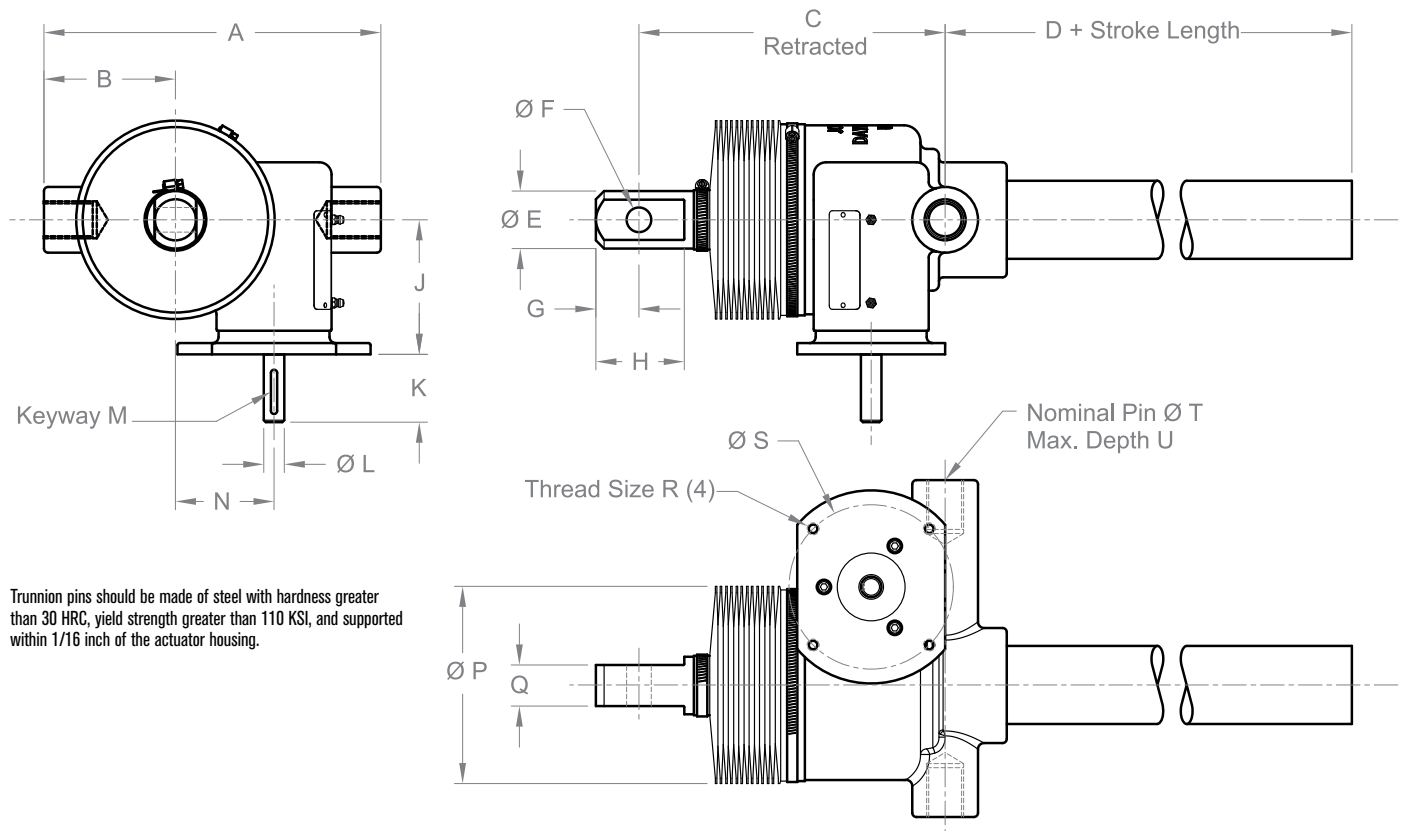
SOLAR TRACKING JACKS (STM) – MACHINE SCREW JACKS

These self-locking, solar tracking jacks are designed to precisely position loads at speeds up to 3.75 inches per minute.

To obtain a quotation or place an order, please contact us at 800-523-5204 or solar@joycedayton.com

STM – Machine Screw Jacks		
Part Number	Typical Dynamic Load Capacity*	Typical Static Load Capacity*
STM-2	4,000 lb.	4,000 lb.
STM-5	10,000 lb.	10,000 lb.
STM-15	30,000 lb.	30,000 lb.
STM-30	60,000 lb.	60,000 lb.

*Actual load capacities may vary depending on desired life and travel speed requirements.



Trunnion pins should be made of steel with hardness greater than 30 HRC, yield strength greater than 110 KSI, and supported within 1/16 inch of the actuator housing.

Machine Screw Solar Tracking Jack (STM) Dimensions																			
Model	A	B	C	D	E	F	G	H	J	K	L	M	N	P	Q	R	S	T	U
STM-2	8.250	3.250	8.5	1.0	1.75	0.75	1.31	2.69	3.69	2.06	0.625	0.188 Sq x 1.0 Lg	1.88	5.5	1.250	5/16-18	5.00	0.75	1.00
STM-5	10.250	4.000	9.5	1.0	1.75	0.75	1.31	2.69	4.12	2.06	0.625	0.188 Sq x 1.0 Lg	3.00	6.0	1.250	5/16-18	5.00	1.00	1.50
STM-15	11.750	4.625	10.5	1.0	2.00	0.75	1.31	2.69	5.31	2.13	1.00	0.250 Sq x 1.25 Lg	3.75	6.5	1.375	5/16-18	5.875	1.50	1.75
STM-30	20.000	9.000	14.5	2.0	3.00	1.50	2.00	4.00	8.00	3.13	1.00	0.250 Sq x 1.25 Lg	6.00	8.0	1.750	3/8-16	8.00	2.00	2.25

Dimensions are in inches.

Contact Joyce/Dayton with all your lifting and positioning needs.