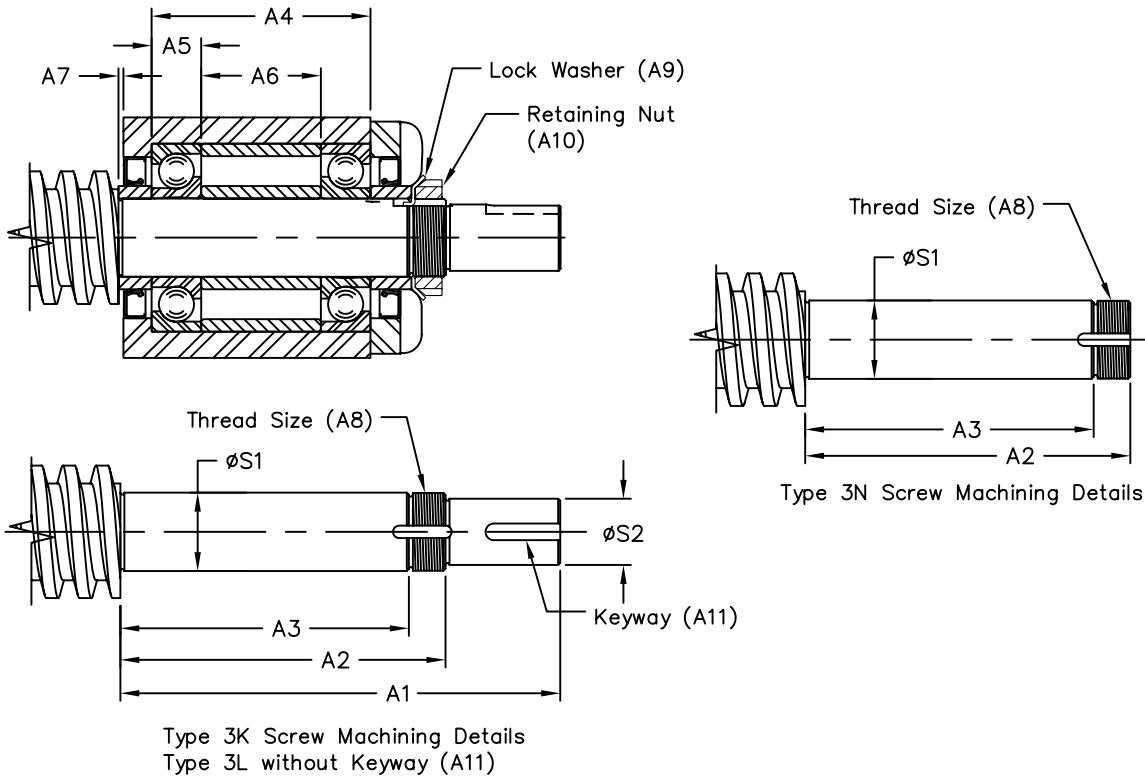
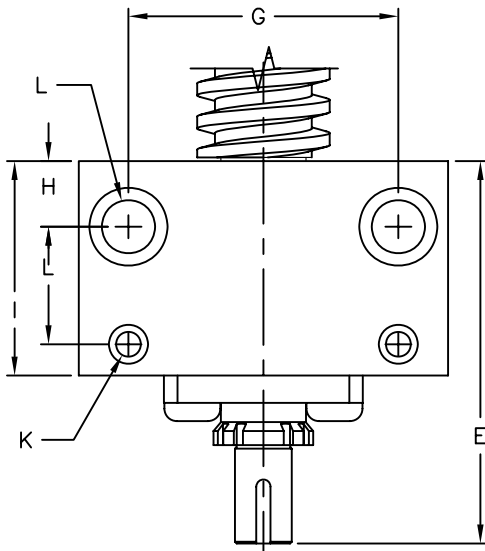
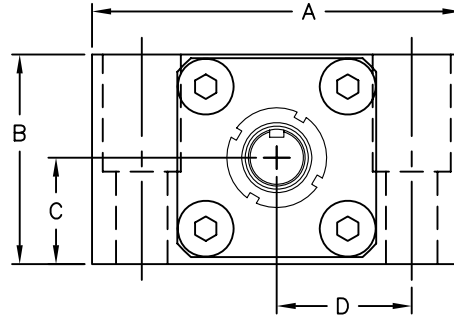


## Joyce Machine Screw - FB Bearing Mounts Machine Screw End Machining Details

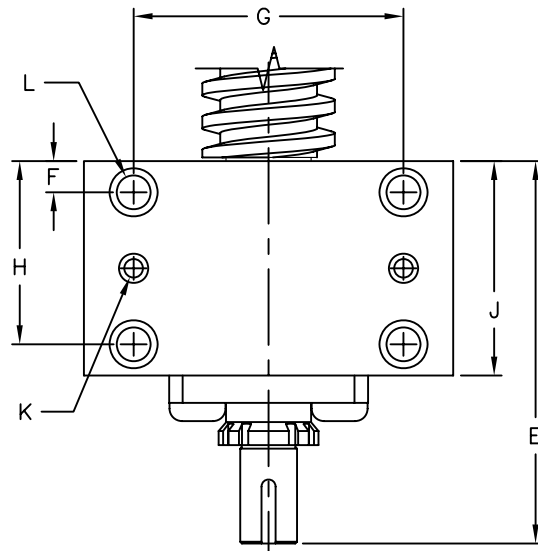


Screw Number	Bearing Mount No.	øS1	øS2	A1	A2	A3	A4	A5	A6	A7	A8	A9	A10	A11
SS050R013A		.3544 .3541	.250 .249	3.23	2.60	1.98	1.240	.315	.063	.035	5/16-24 UNF	N/A	N/A	3/32 X 1/2
SS063R013S SS063R025S SS063R050A	FB-10	.3940 .3936	.312 .311	3.50	2.75	2.25	1.515	.354	.825	.050	.391-32 UNS	W-00	N-00	1/8 X 1/2
AS075R020A AS088R050A	FB-12	.4726 .4723	.406 .405	4.30	3.00	2.35	1.850	.472	.923	.038	.469-32 UNS	W-01	N-01	1/8 X 5/8
AS100R025A AS100R050A	FB-15	.5908 .5905	.500 .499	4.62	3.31	2.73	2.000	.512	.995	.035	.586-32 UNS	W-02	N-02	1/8 X 5/8
AS100R010A SS100R100A AS125R025A	FB-20	.7877 .7873	.625 .624	5.05	3.80	3.10	2.375	.590	1.217	.035	.781-32 UNS	W-04	N-04	3/16 X 5/8
AS150R025A AS150R038A AS150R050A	FB-25	.9846 .9842	.750 .749	6.06	4.50	3.75	2.815	.669	1.500	.083	.969-32 UNS	W-05	N-05	3/16 X 1
SS150R038A AS200R025A AS200R050A	FB-30	1.1814 1.1810	1.000 .999	6.67	4.92	4.20	3.300	.748	1.828	.075	1.173-18 UNS	W-06	N-06	1/4 X 1
AS225R025A AS225R050A		1.5752 1.5747	1.375 1.374	8.15	5.90	5.13	4.236	.906	2.45	.035	1.563-18 UNS	W-08	N-08	5/16 X 1 1/2
AS250R025A AS250R050A		1.7721 1.7716	1.375 1.374	8.62	6.37	5.60	4.694	.984	2.75	.035	1.767-18 UNS	W-09	N-09	5/16 X 1 1/2

## Joyce Machine Screw - FB Bearing Mounts



Plan View For  
FB-20, 25, & 30



Plan View For FB-10,  
12, & 15

Screw Number	Bearing Mount No.	A	B	C	D	E	F	G	H	I	J	K	L
SS063R013S SS063R025S SS063R050A	FB-10	3.000	1.875	1.000	1.125	3.450	.375	2.250	1.500	.938	1.875	.250 Thru .375 C'Bore #5 Taper Pin	.406 Thru .625 C'Bore 1.130 Deep
AS075R020A AS088R050A	FB-12	3.000	1.875	1.000	1.125	4.262	.438	2.250	1.688	1.063	2.125	.250 Thru .375 C'Bore #5 Taper Pin	.406 Thru .625 C'Bore 1.130 Deep
AS100R025A AS100R050A	FB-15	3.500	2.125	1.125	1.250	4.585	.500	2.500	1.875	1.188	2.375	.250 Thru .375 C'Bore #5 Taper Pin	.406 Thru .625 C'Bore 1.310 Deep
AS100R010A SS100R100A AS125R025A	FB-20	4.500	2.750	1.438	1.625	5.015	.937	3.250	N/A	2.125	2.750	.437 Thru .687 C'Bore #8 Taper Pin	.688 Thru 1.000 C'Bore 1.625 Deep
AS150R025A AS150R038A AS150R050A	FB-25	6.500	3.690	1.875	2.375	5.977	.970	4.750	N/A	2.750	3.250	.437 Thru .687 C'Bore #8 Taper Pin	.937 Thru 1.375 C'Bore 2.250 Deep
SS150R038A AS200R025A AS200R050A	FB-30	6.500	3.690	1.875	2.375	6.595	1.156	4.750	N/A	3.225	3.725	.437 Thru .687 C'Bore #8 Taper Pin	.937 Thru 1.375 C'Bore 2.250 Deep