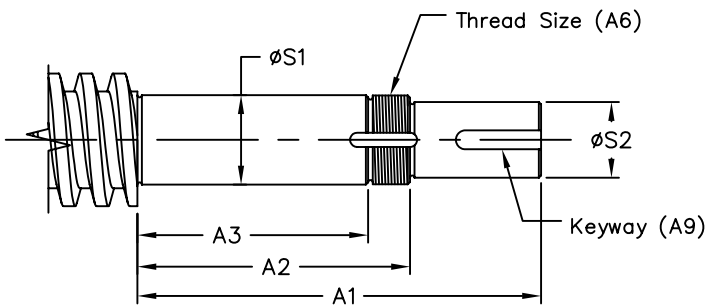
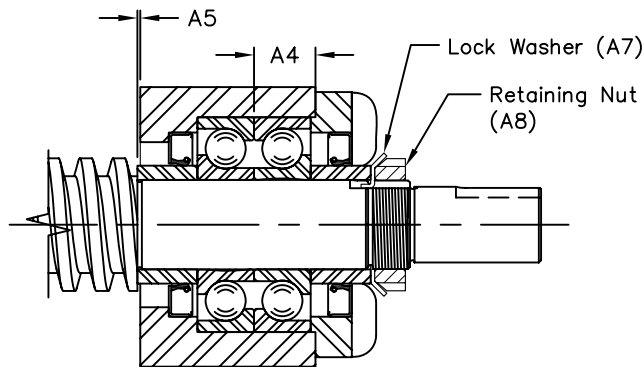
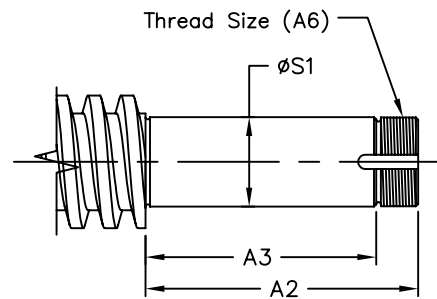


## Joyce Machine Screw - DB Bearing Mounts Machine Screw End Machining Details



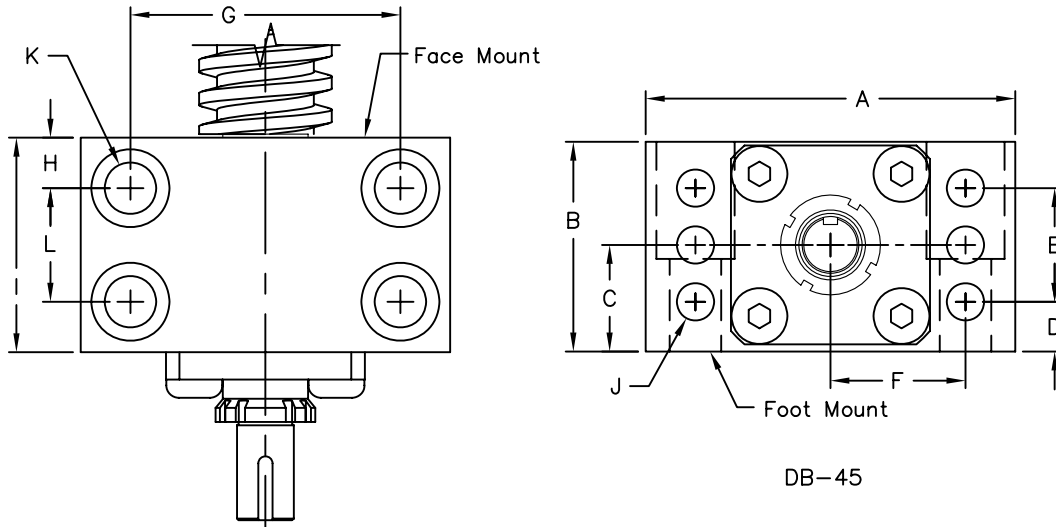
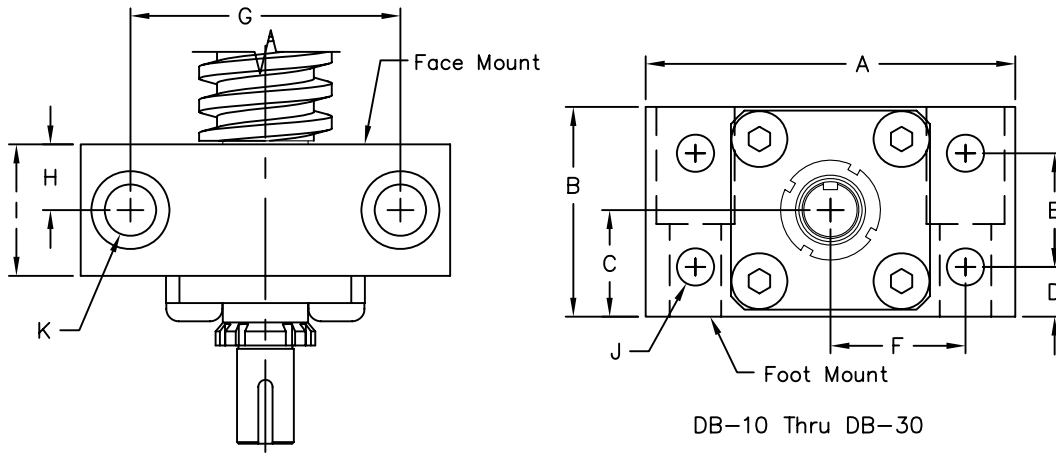
Type 2K Screw Machining Details  
Type 2L without Keyway (A9)



Type 2N Screw Machining Details

Screw Number	Bearing Mount No.	$\phi S1$	$\phi S2$	A1	A2	A3	A4	A5	A6	A7	A8	A9
SS050R013A		.3544 .3541	.250 .249	2.45	1.82	1.320	.315	.035	5/16-24 UNF	N/A	N/A	3/32 X 1/2
SS063R013S SS063R025S SS063R050A	DB-10	.3940 .3936	.312 .311	2.84	2.09	1.700	.354	.000	.391-32 UNS	W-00	N-00	1/8 X 1/2
AS075R020A AS088R050A	DB-12	.4726 .4723	.406 .405	3.29	2.00	1.566	.472	.000	.469-32 UNS	W-01	N-01	1/8 X 5/8
AS100R025A AS100R050A	DB-15	.5908 .5905	.500 .499	3.59	2.59	2.145	.512	.040	.586-32 UNS	W-02	N-02	1/8 X 5/8
AS100R010A SS100R100A AS125R025A	DB-20	.7877 .7873	.625 .624	4.00	2.88	2.378	.590	.040	.781-32 UNS	W-04	N-04	3/16 X 5/8
AS150R025A AS150R038A AS150R050A	DB-25	.9846 .9842	.750 .749	4.45	2.89	2.328	.669	.000	.969-32 UNS	W-05	N-05	3/16 X 1
SS150R038A AS200R025A AS200R050A	DB-30	1.1814 1.1810	1.000 .999	5.33	3.60	3.047	.748	.063	1.173-18 UNS	W-06	N-06	1/4 X 1
AS225R025A AS225R050A		1.5752 1.5747	1.375 1.374	6.93	4.43	3.800	.906	.063	1.563-18 UNS	W-08	N-08	5/16 X 1 1/2
AS250R025A AS250R050A	DB-45	1.7721 1.7716	1.375 1.374	6.68	4.49	3.875	.984	.063	1.767-18 UNS	W-09	N-09	5/16 X 1 1/2

## Joyce Machine Screw - DB Bearing Mounts



Screw Number	Bearing Mount No.	A	B	C	D	E	F	G	H	I	J	K	L
SS063R013S SS063R025S SS063R050A	DB-10	3.000	1.875	1.000	.375	1.125	1.125	2.250	.672	1.344	.281 (4x)	.406 Thru .625 C'Bore .875 Deep	N/A
AS075R020A AS088R050A	DB-12	3.000	1.875	1.000	.375	1.125	1.125	2.250	.672	1.344	.281 (4x)	.406 Thru .625 C'Bore .875 Deep	N/A
AS100R025A AS100R050A	DB-15	3.500	2.125	1.125	.375	1.375	1.250	2.500	.813	1.625	.281 (4x)	.406 Thru .625 C'Bore 1.000 Deep	N/A
AS100R010A SS100R100A AS125R025A	DB-20	4.500	2.750	1.438	.500	1.750	1.625	3.250	.938	1.875	.469 (4x)	.656 Thru 1.000 C'Bore 1.312 Deep	N/A
AS150R025A AS150R038A AS150R050A	DB-25	6.500	3.690	1.875	.875	2.000	2.375	4.750	.970	1.940	.656 (4x)	.906 Thru 1.375 C'Bore 1.750 Deep	N/A
SS150R038A AS200R025A AS200R050A	DB-30	6.500	3.690	1.875	.875	2.000	2.375	4.750	1.156	2.312	.656 (4x)	.906 Thru 1.375 C'Bore 2.060 Deep	N/A
AS250R025A AS250R050A	DB-45	8.500	5.625	2.813	1.000	3.625	3.313	6.625	.873	3.468	.813 (6x)	1.013 Thru 1.563 C'Bore 3.500 Deep	1.720