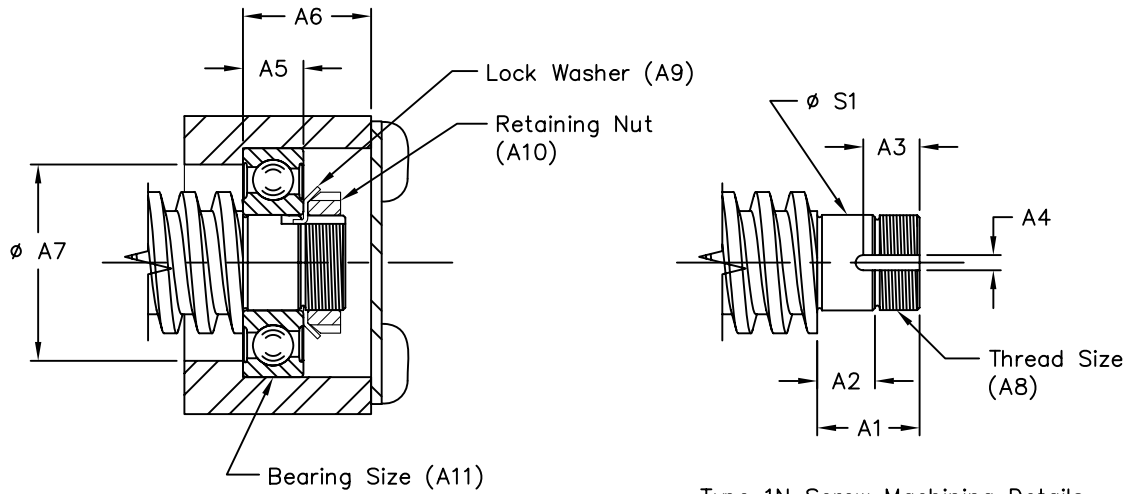


## Joyce Machine Screw - SB Bearing Mounts Machine Screw End Machining Details



Screw Number	Bearing Mount No.	$\phi$ S1	A1	A2	A3	A4	A5	A6	$\phi$ A7	A8	A9	A10	A11
SS050R013A		.3544 .3541	.750	.290	N/A	N/A	.315	.875	.88	5/16-24 UNF	N/A	N/A	629
SS063R013S SS063R025S SS063R050A	SB-10	.3940 .3936	.650	.330	.44	.127 .125	.354	.800	1.00	.391-32 UNS	W-00	N-00	6200
AS075R020A AS088R050A	SB-12	.4726 .4723	.890	.450	.56	.127 .125	.472	1.029	1.25	.469-32 UNS	W-01	N-01	6301
AS100R025A AS100R050A	SB-15	.5908 .5905	.930	.490	.56	.127 .125	.512	1.094	1.38	.586-32 UNS	W-02	N-02	6302
AS100R010A SS100R100A AS125R025A	SB-20	.7877 .7873	1.070	.570	.63	.190 .188	.590	1.305	1.75	.781-32 UNS	W-04	N-04	6304
AS150R025A AS150R038A AS150R050A	SB-25	.9846 .9842	1.190	.650	.70	.190 .188	.669	1.420	2.06	.969-32 UNS	W-05	N-05	6305
SS150R038A AS200R025A AS200R050A	SB-30	1.1814 1.1810	1.275	.720	.70	.190 .188	.748	1.587	2.43	1.173-18 UNS	W-06	N-06	6306
AS225R025A AS225R050A		1.5752 1.5747	1.470	.880	.74	.315 .313	.906	1.875	3.10	1.563-18 UNS	W-08	N-08	6308
AS250R025A AS250R050A		1.7721 1.7716	1.550	.960	.80	.315 .313	.984	2.000	3.50	1.767-18 UNS	W-09	N-09	6309