

# MA1527/MA3507 (12 VDC)

- 12 VDC
- Dynamic loads up to 3500N (787 lb)
- Static load capacity of 4500N (1012 lb)
- Maximum travel speeds (see chart)
- 25% duty cycle
- Clevis-to-clevis mounting
- Self-locking
- Preset limit switches can be adjusted
- Potentiometer
- IP65 protection rating
- Steel extension tube and outer tube
- Optional DC controls (see back cover)

MA1527 / MA3507 Multipurpose Actuators (12 VDC)				
Part Number	Capacity N (lb)	Stroke mm (in)	Travel Speed mm/sec (in/min)	Retracted (A) mm (in)
MA1527B1115	1500 (337)	153 (6.0)	27 (64)	410 (16.1)
MA1527B1130	1500 (337)	305 (12.0)	27 (64)	613 (24.1)
MA1527B1145	1500 (337)	457 (18.0)	27 (64)	765 (30.1)
MA3507B1115	3500 (787)	153 (6.0)	7 (17)	410 (16.1)
MA3507B1130	3500 (787)	305 (12.0)	7 (17)	613 (24.1)
MA3507B1145	3500 (787)	457 (18.0)	7 (17)	765 (30.1)

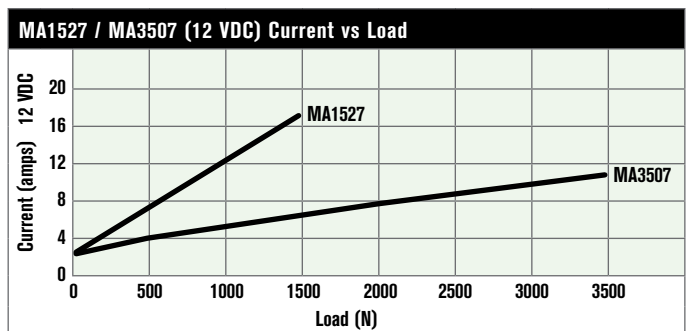
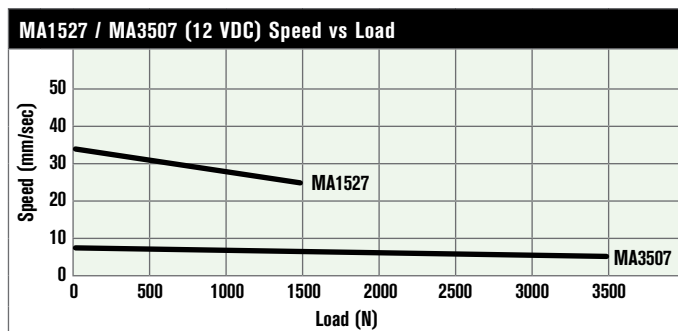
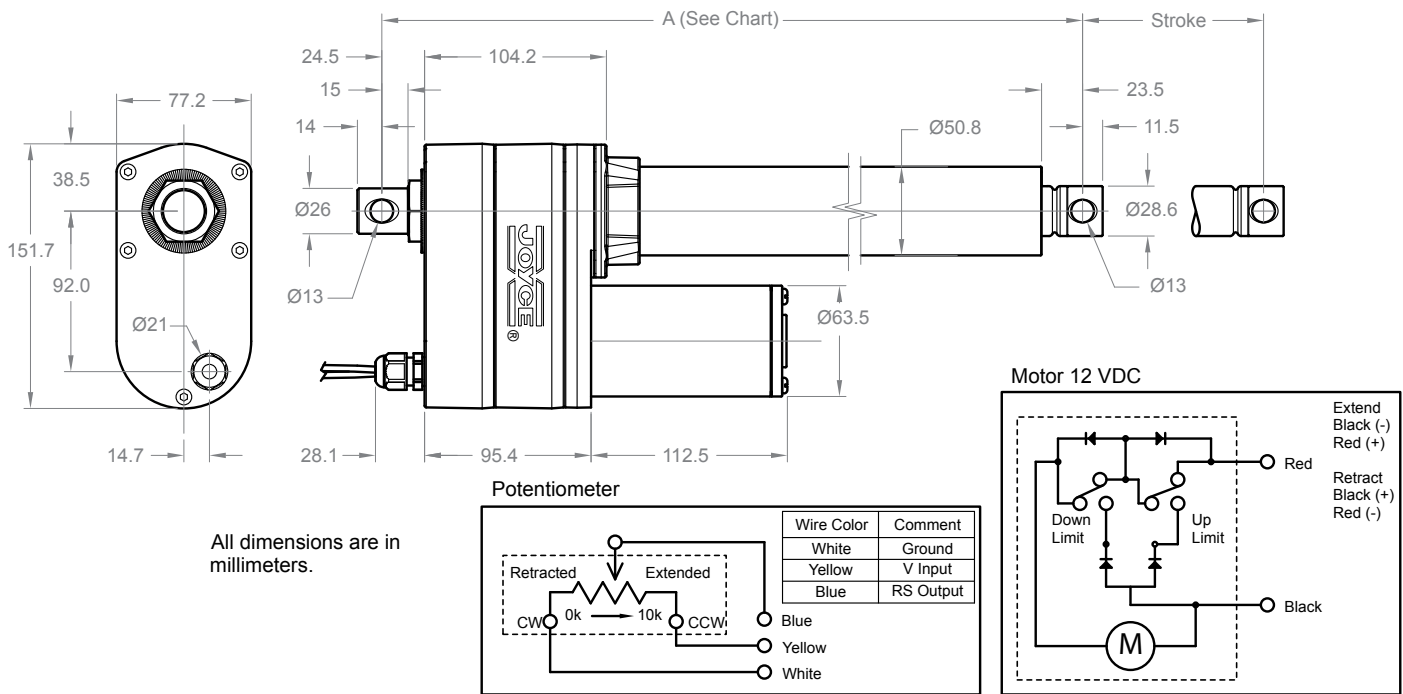


Chart values based on 18°C (64°F).

Contact Joyce/Dayton with all your actuator and control requirements.