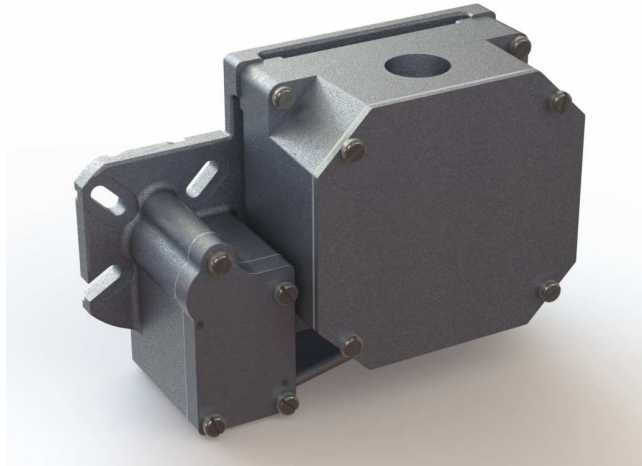




Operation and Maintenance Manual for Joyce/Dayton

Rotary Limit Switch Model LS8-402



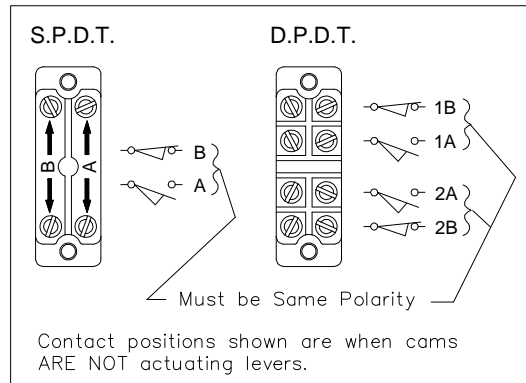
DESCRIPTION:

This rotary limit switch is designed to control the limits of travel of rotating reversing equipment.

The limit switch input shaft is connected to a worm gear. Adjustable self-lubricating nylon roller cams are concentrically mounted to the worm gear. These adjustable cams actuate either single pole double throw (S.P.D.T.) or double pole double throw (D.P.D.T.) precision limit switch units.

**CAUTION: DISCONNECT ELECTRICAL POWER BEFORE REMOVING COVER.
DANGER OF SEVERE ELECTRICAL SHOCK.**

Electrical Contact Ratings			
Contacts	Volts	Make & Break Amperes	
		AC	DC
SPDT	110	15	0.25
	220	15	0.1
	440	15	-
	600	15	-
DPDT	115	10	0.2
	230	10	0.1
	440	10	-
	575	10	-



ADJUSTMENT:

Refer to figure 1. The electrical switch units “G” and “H” are shown with contact positions assumed when the cams are not actuating the switch units.

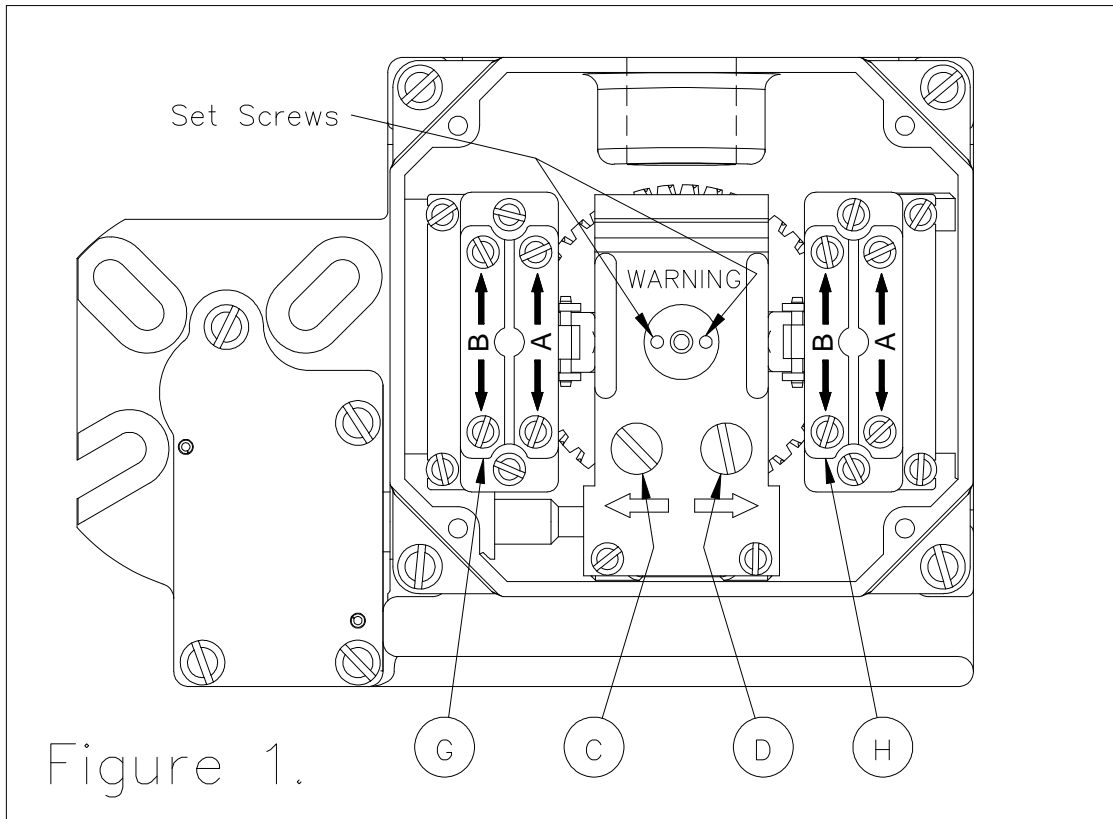
When the cam rotates and actuates the “B” (closed) contact opens and the ‘A’ (open) contact closes. Each electrical switch unit has (1) one independent adjustable cam.

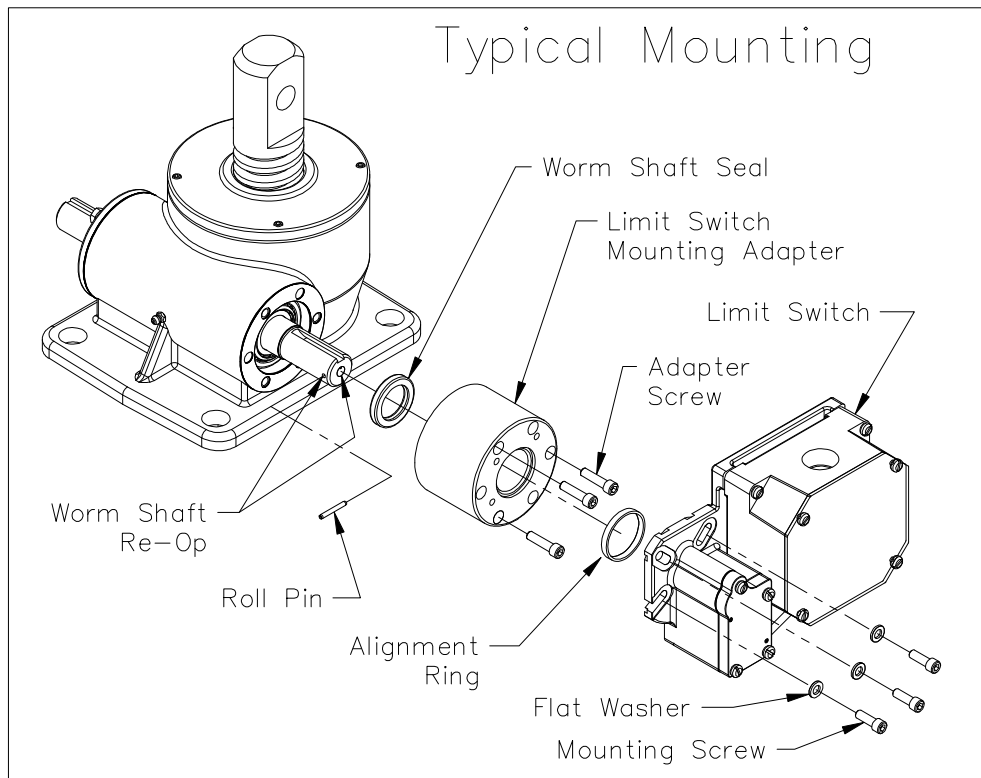
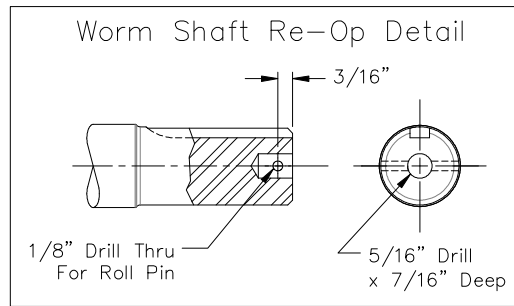
To Adjust “G” Switch

1. Loosen Red set screw.
2. Turn screw “C” until cam roller trips “G”
3. Retighten Red set screw.

To Adjust “H” Switch

1. Loosen Blue set screw.
2. Turn screw “D” until cam roller trips “H”
3. Retighten Blue set screw.





Joyce Dayton Serial Number Tag

Contact Joyce Dayton Corporation and provide the serial number to obtain the product information needed for maintenance, repair and reorder.

Joyce Dayton Corp
P.O. Box 1630
Dayton, Ohio 45401
Phone (800) 523-5204 (U.S. & Canada); (937) 294-6261 Fax (937) 297-7173
www.joycedayton.com E-mail: sales@joycedayton.com