

LEVELING LOG HOMES



“The Joyce/Dayton jack is a great benefit to log construction professionals. Joyce is the first name we think of whenever our customers need a custom lifting solution.”

Robert Ross,
Trans-Quip

TRANS-QUIP: application story outline

Compared to residential construction, log homes present many unique challenges. One of these are the jacks used for leveling. Trans-Quip, Canadian Master Distributor of Joyce/Dayton jacks and power transmission components based in Grimsby, Ontario, Canada, proposed a solution for many challenges facing builders when leveling log homes during construction and throughout the life of the home.

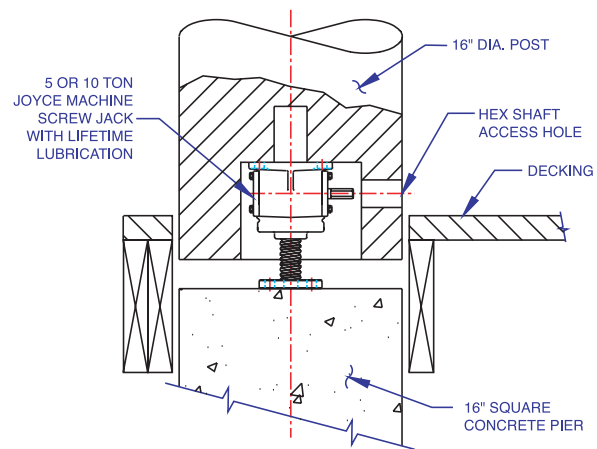
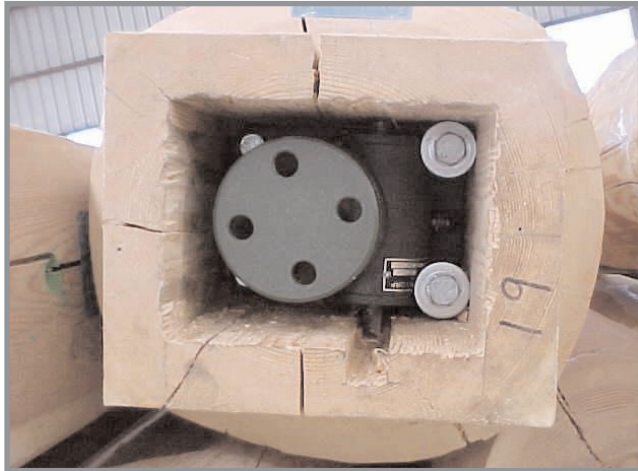
UNIQUE FEATURES

- Unlike conventional residential construction, log homes present a challenge because their heavy support columns need to be leveled over a period of several years due to shrinkage and foundation settling.
- In log construction, the heavy support columns generally require unsightly screw/nut arrangements that are typically exposed to the elements.

- The builder can only level in a downward direction with a large wrench and a significant amount of manpower to make the adjustments.

HOW THE JACKS WORK

- Joyce/Dayton developed compact Worm Gear Machine Screw Jacks to be set within each of the support columns. These heavy duty self-locking machine screw jacks are offered in 5 and 10 ton capacities with a vertical travel of six inches.
- Since these jacks are designed with lifetime lubrication, they can be neatly fitted into the support columns away from the elements and out of sight. The support columns have holes drilled into one side for quick access to the jack adjustment mechanism and can be plugged once leveling is completed.
- The jacks are supplied with a custom hex input shaft for attaching a power drill. Due to the high worm gear reduction ratio, the builder now has a unique and simple adjustment method for leveling the columns in both the up and down direction.



WHY JOYCE JACKSCREWS?

- **Safety** - The use of a power tool rather than the large wrench reduces strain and therefore the risk of worker injury. Additionally, the jack is safely hidden in the column which eliminates the chance of unwanted tampering.
- **Durability** - Joyce jacks are equipped with tapered roller bearings, high tensile bronze nut and lifetime lubrication which eliminate the need for ongoing maintenance. The rugged compact jack design allows the jack be nestled into the column and no longer exposed to the elements.
- **Overall Performance** - The time required to remove and replace coverings in order to adjust the old screw/nut arrangement is completely eliminated with the Joyce jacks. In addition, the ability to adjust upward as well as downward, previously not an option, greatly reduces the amount of time spent leveling. In fact with the previous screw/nut arrangement, the average amount of time it took to level a home was 3-5 days. With the new Joyce jacks, that time is reduced to less than half a day.

Since 1873, the Joyce/Dayton Corp., with headquarters based in Dayton, Ohio, has been one of the premier manufacturers of rugged, heavy-duty mechanical and hydraulic lifting and positioning equipment. From leveling log homes and ship dry-dock transfers to stage and ergonomic lifts, Joyce/Dayton has handled the toughest applications imaginable. With unmatched engineering and technical expertise, Joyce can provide custom solutions in a time- and price-sensitive manner turning ideas into working solutions. For more information about the Joyce/Dayton Corp., visit the company's web site at www.joycedayton.com.

