

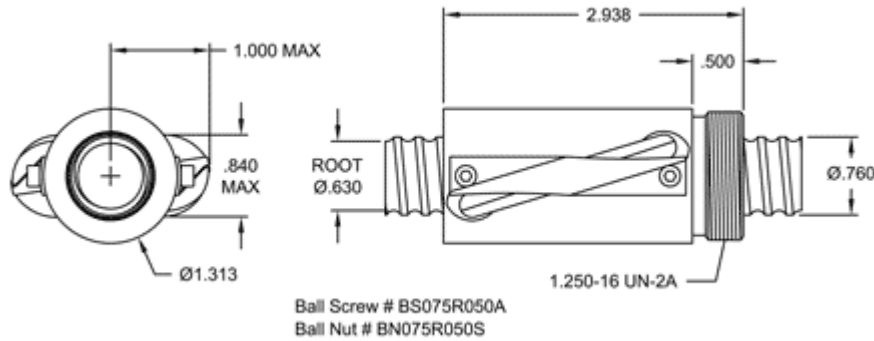
0.750 IN. DIAMETER - 0.500 IN. LEAD

This 0.750 inch diameter ball screw has a 0.500 inch lead. Corresponding standard capacity ball nuts are available with right-hand threads.

BALL SCREW SPECIFICATIONS	RH
BALL SCREW PART NO.	BS 075 R 050 A
NOMINAL BALL CIRCLE DIAMETER	0.750 IN.
LEAD	0.500 IN.
SCREW DIAMETER	0.760 IN.
ROOT DIAMETER	0.630 IN.
SCREW WEIGHT	1.35 LB./FT.
TORQUE TO RAISE 1 POUND*	0.089 IN.-LB.
MAXIMUM SCREW LENGTH	12 FT.

* Torque to raise 1 pound = 0.177 x inches lead x pounds load

Standard Capacity Ball Nut Specifications (S)



Right hand thread direction shown.

BALL NUT SPECIFICATIONS	RH
BALL NUT PART NO. (STANDARD CAPACITY)	BN 075 R 050 S
BALL NUT WITH FLANGE PART NO.	BN 075 R 050 S
DYNAMIC LOAD CAPACITY**	3,400 LB.
STATIC LOAD CAPACITY	21,000 LB.
BALL NUT WEIGHT	0.68 LB.
NOMINAL BALL DIA. (AVG. BALL QTY.)	5/32 IN. (150)
FLANGE PART NO.	FL-1250
WIPER KIT PART NO.	WK-37

** for 1,000,000 inches