

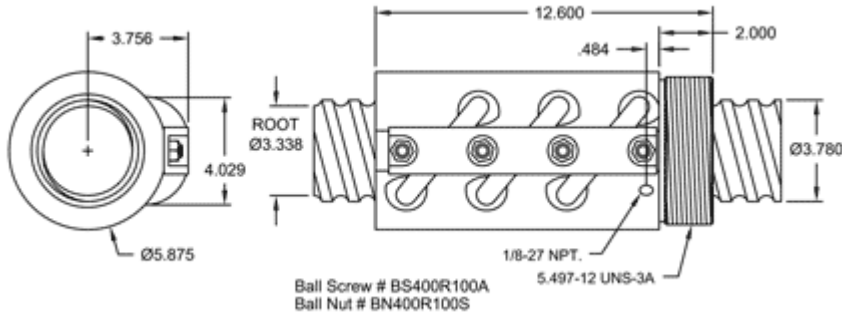
4.000 IN. DIAMETER - 1.000 IN. LEAD

This 4 inch diameter ball screw has a 1 inch lead. Corresponding standard capacity ball nuts with right-hand threads are available.

BALL SCREW SPECIFICATIONS	RH
BALL SCREW PART NO.	BS 400 R 100 A
NOMINAL BALL CIRCLE DIAMETER	4.000 IN.
LEAD	1.000 IN.
SCREW DIAMETER	3.780 IN.
ROOT DIAMETER	3.338 IN.
SCREW WEIGHT	31.09 LB./FT.
TORQUE TO RAISE 1 POUND*	.177 IN.-LB.
MAXIMUM SCREW LENGTH	24 FT.

* Torque to raise 1 pound = 0.177 x inches lead x pounds load

Standard Capacity Ball Nut Specifications (S)



BALL NUT SPECIFICATIONS	RH
BALL NUT PART NO. (STANDARD CAPACITY)	BN 400 R 100 S
BALL NUT WITH FLANGE PART NO.	BF 400 R 100 S
DYNAMIC LOAD CAPACITY**	85,000 LB.
STATIC LOAD CAPACITY	476,950 LB.
BALL NUT WEIGHT	41.07 LB.
NOMINAL BALL DIA. (AVG. BALL QTY.)	5/8 IN. (186)
FLANGE PART NO.	FL-5497
WIPER KIT PART NO.	WK-90

** for 1,000,000 inches