

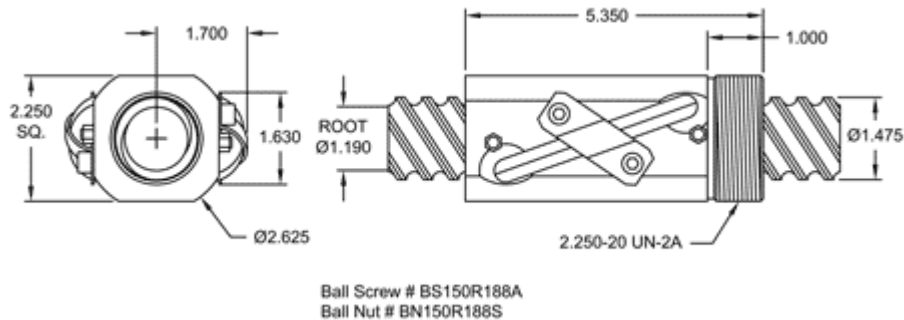
1.500 IN. DIAMETER - 1.875 IN. LEAD

This 1.500 inch diameter ball screw has a 1.875 inch lead. Corresponding standard capacity ball nuts with right-hand threads are available.

BALL SCREW SPECIFICATIONS	RH
BALL SCREW PART NO.	BS 150 R 188 A
NOMINAL BALL CIRCLE DIAMETER	1.500 IN.
LEAD	1.875 IN.
SCREW DIAMETER	1.475 IN.
ROOT DIAMETER	1.190 IN.
SCREW WEIGHT	4.83 LB./FT.
TORQUE TO RAISE 1 POUND*	0.332 IN.-LB.
MAXIMUM SCREW LENGTH	24 FT.

* Torque to raise 1 pound = 0.177 x inches lead x pounds load

Standard Capacity Ball Nut Specifications (S)



BALL NUT SPECIFICATIONS	RH
BALL NUT PART NO. (STANDARD CAPACITY)	BN 150 R 188 S
BALL NUT WITH FLANGE PART NO.	BF 150 R 188 S
DYNAMIC LOAD CAPACITY**	7,350 LB.
STATIC LOAD CAPACITY	30,000 LB.
BALL NUT WEIGHT	3.9 LB.
NOMINAL BALL DIA. (AVG. BALL QTY.)	9/32 IN. (90)
FLANGE PART NO.	FL-2250
WIPER KIT PART NO.	WK-55

** for 1,000,000 inches