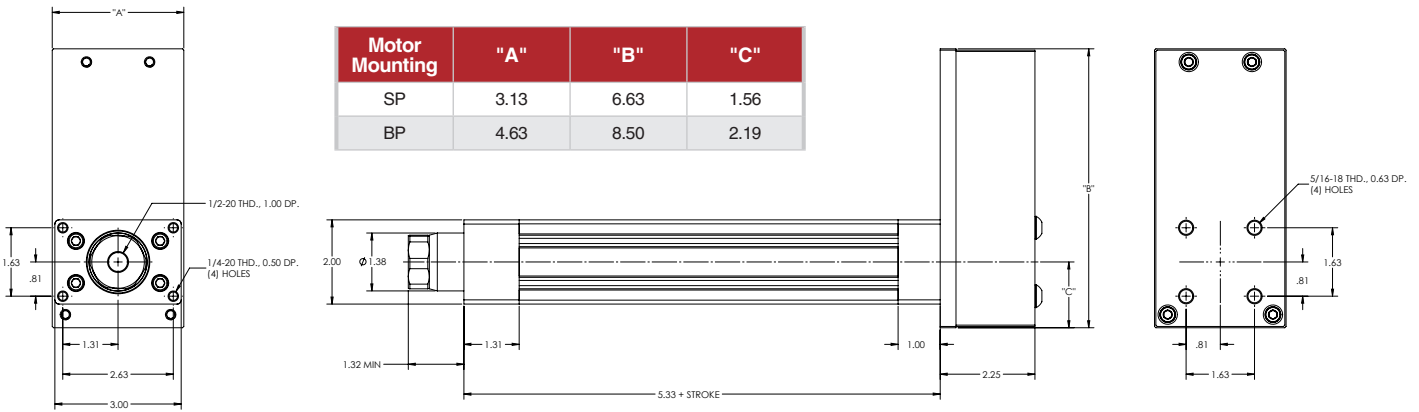


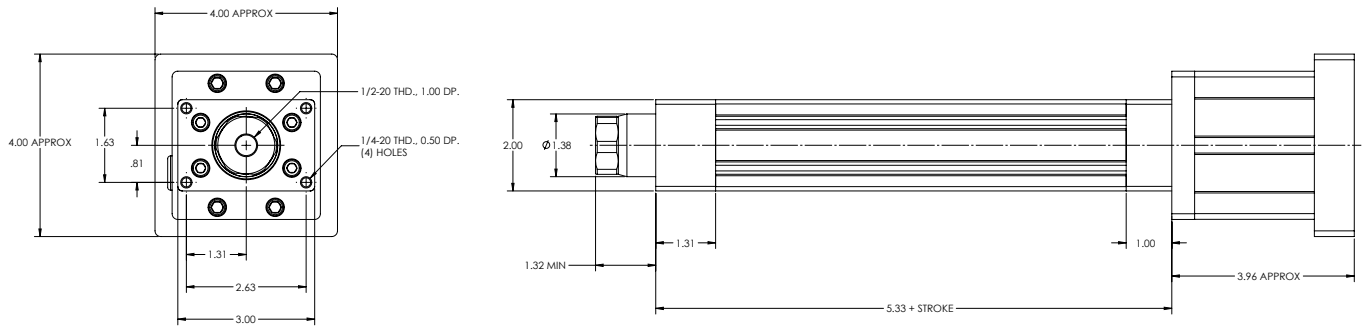
DIMENSIONED DRAWINGS FOR THE UNIVERSAL ACTUATOR UA

Dimensions are in inches and are subject to change without notice.

Parallel Offset Configuration

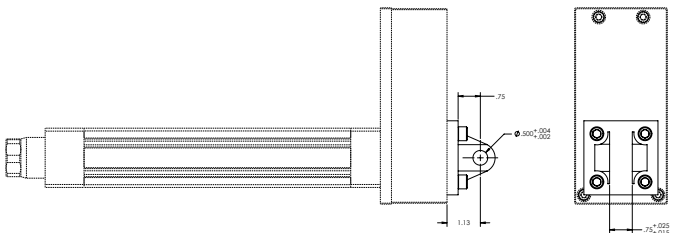


Inline Configuration

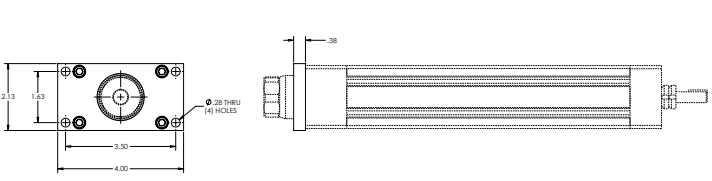


UA Mounting Accessories

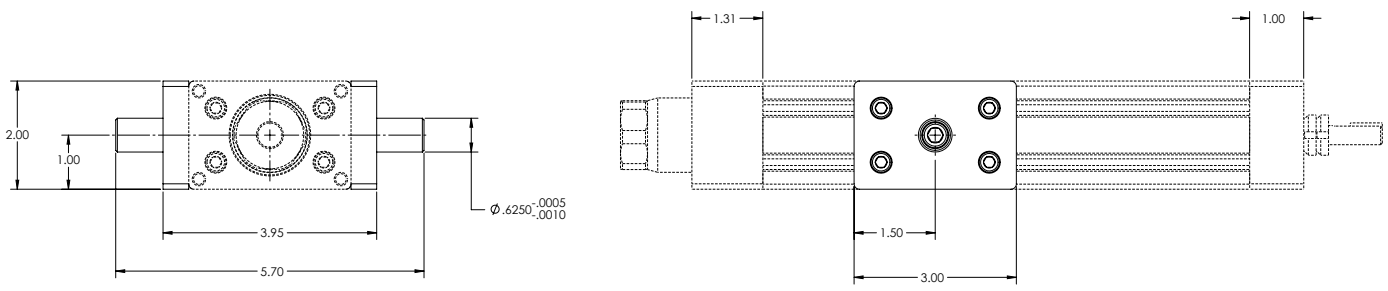
Rear Clevis



Front Flange



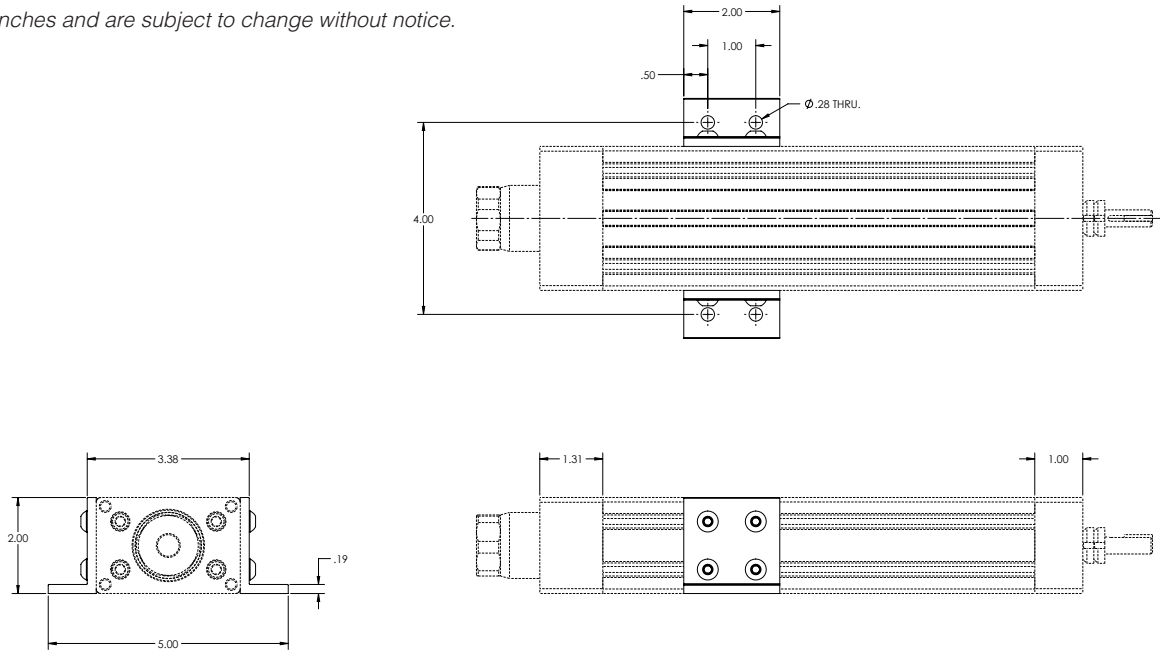
Trunnion Brackets



DIMENSIONED DRAWINGS FOR THE UNIVERSAL ACTUATOR UA

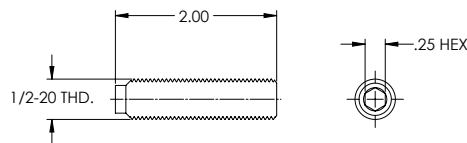
Dimensions are in inches and are subject to change without notice.

Foot Mount

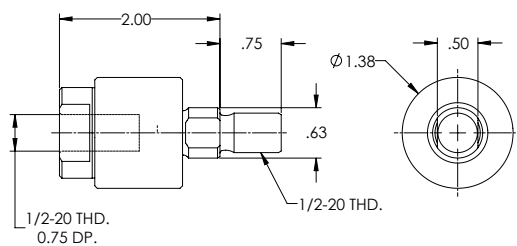


Rod End Accessories

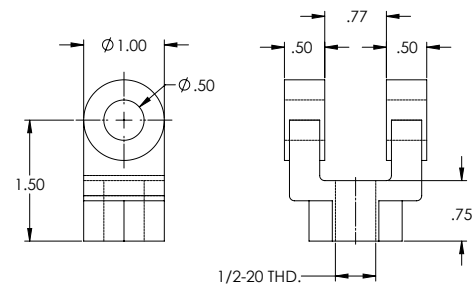
Male Thread



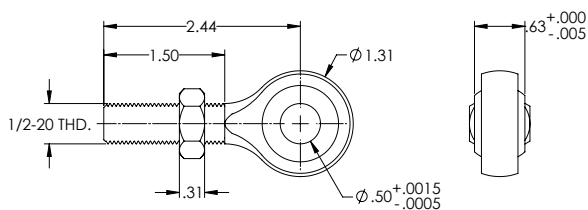
Self-Aligning Coupler *Includes Male Thread*



Clevis Rod End *Includes Male Thread and Jam Nut*



Spherical Rod Eye



Female Eye *Includes Male Thread and Jam Nut*

