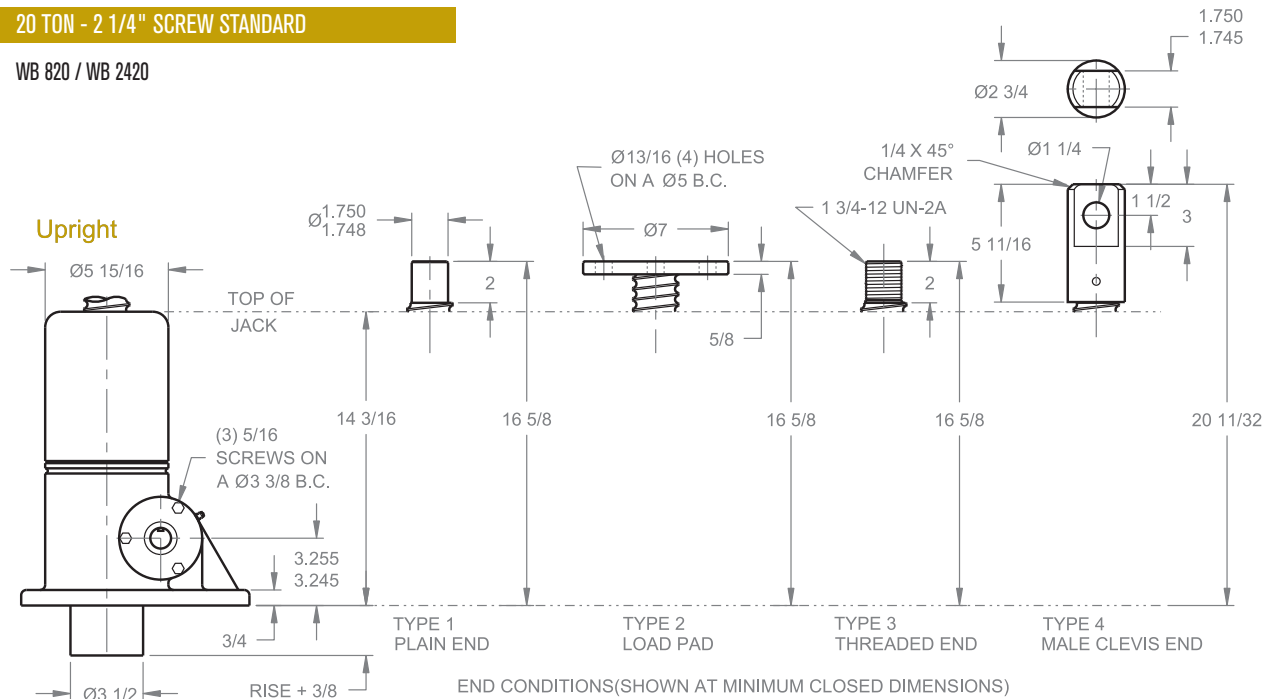


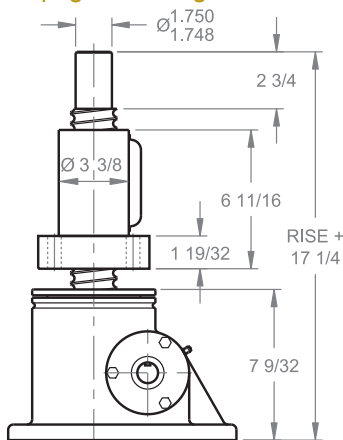
BALL SCREW JACKS

20 TON - 2 1/4" SCREW STANDARD

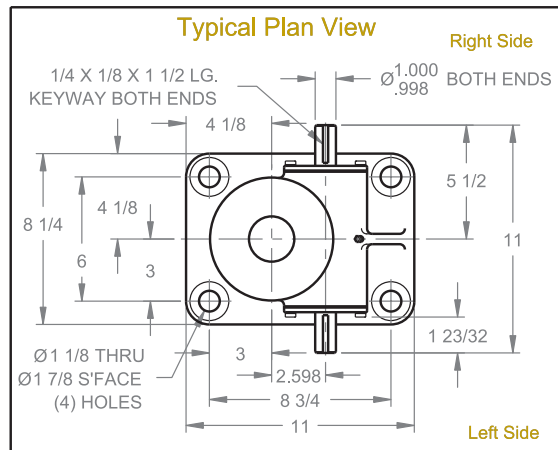
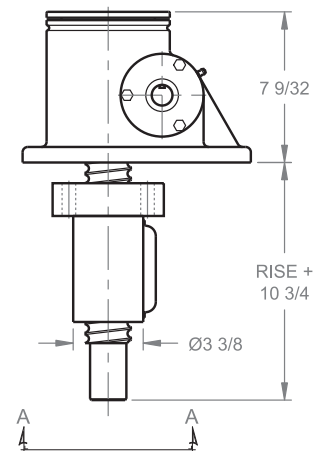
WB 820 / WB 2420



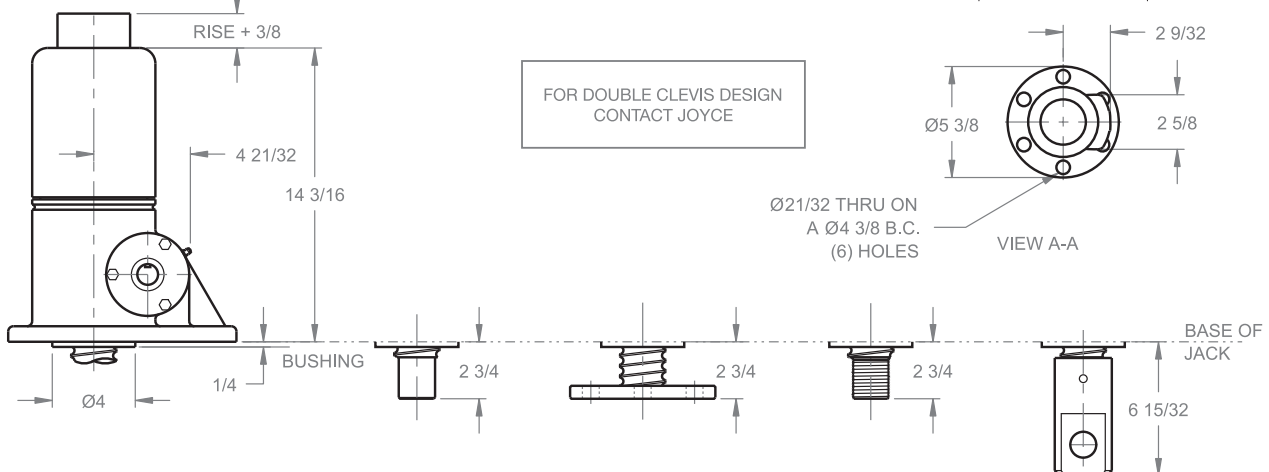
Upright traveling nut



Inverted traveling nut



Inverted



Note: Drawings are artist's conception — not for certification; dimensions are subject to change without notice.