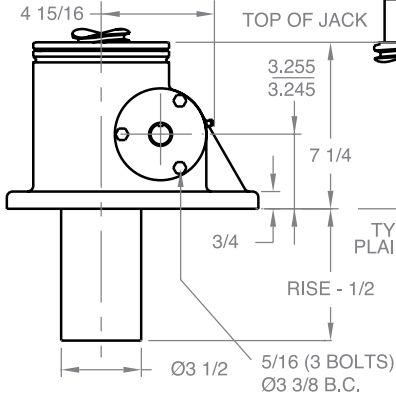


# MACHINE SCREW JACKS

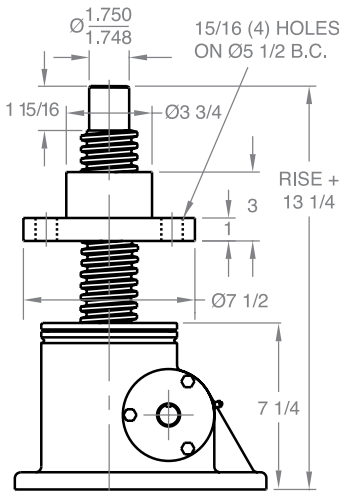
## 20 TON - 2 1/2" SCREW

WJ 820 / DWJ 820  
WJ 2420 / DWJ 2420  
WJ 2520

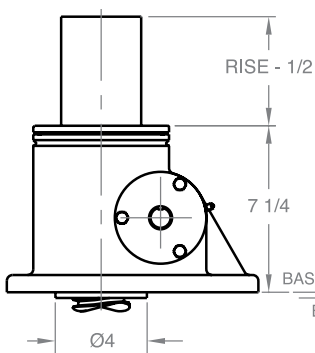
### Upright



### Upright traveling nut

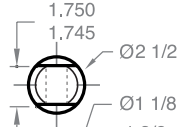


### Inverted



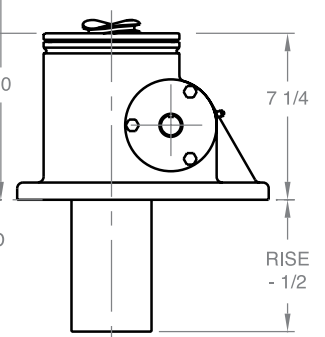
13/16 (4) HOLES ON Ø4 1/8 B.C.

1 3/4-12 UNF 2A

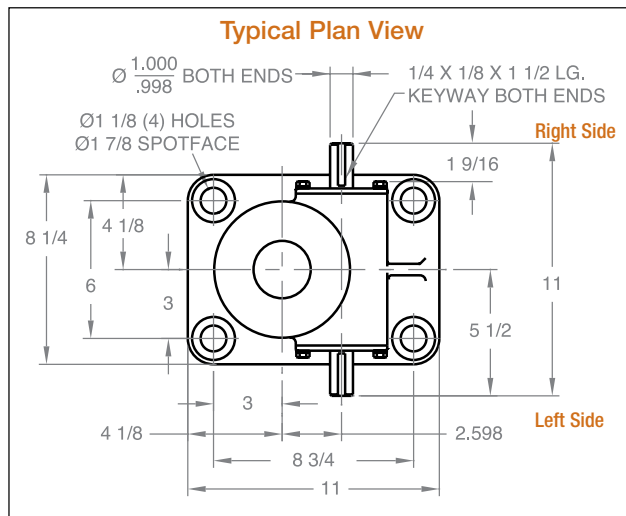


END CONDITIONS (SHOWN AT MINIMUM CLOSED DIMENSIONS)

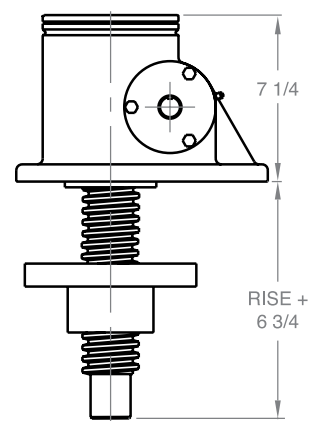
### Upright keyed



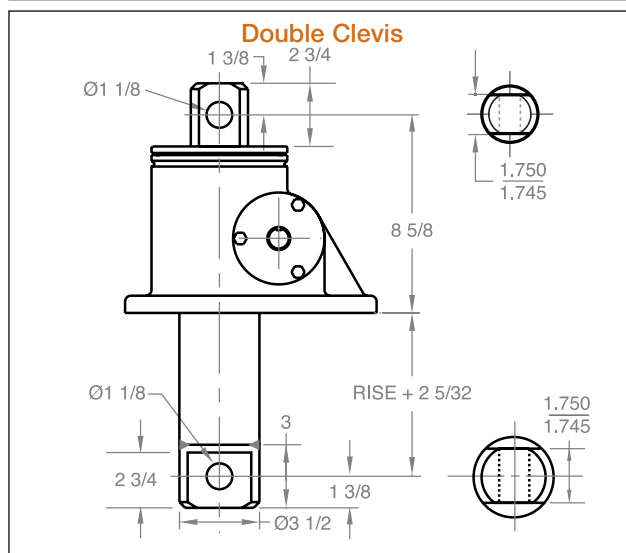
### Typical Plan View



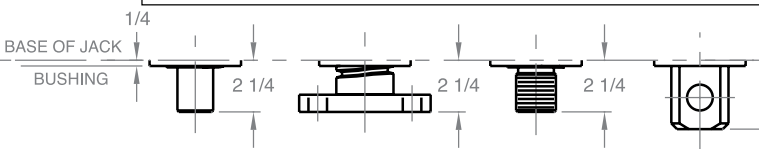
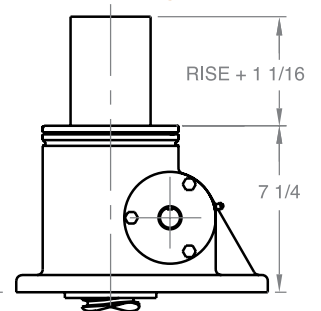
### Inverted traveling nut



### Double Clevis



### Inverted keyed



Note: Drawings are artist's conception — not for certification; dimensions are subject to change without notice.