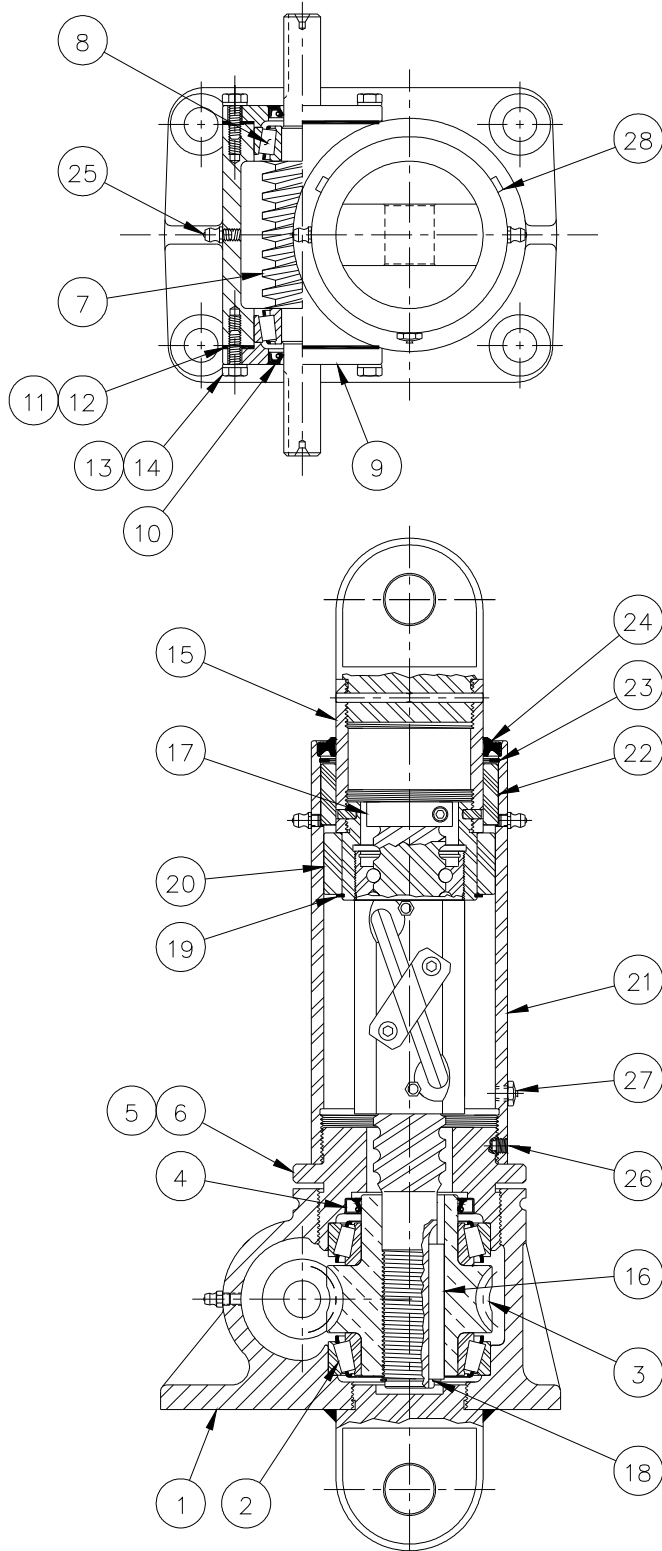


# Section III Drawings

## 3-1 Ball Screw Electric Cylinder



**Table 3-2 Parts list – Ball Screw Electric Cylinder**

Item		Item	
1	Electric Cylinder Sleeve (1)		<b>With Motor Mount (not shown)</b>
2	Thrust Bearing (2)		Motor Mount Bracket (1)
3	Worm Gear Nut (1)		Hex Head Screw (4)
4	Seal (1)		Lock Washer (4)
5	Sleeve Cap (1)		Hex Head Screw (4)
6	Set Screw (4)		Pipe Plug (2)
7	Worm (1)		Coupling (1)
8	Worm Shaft Bearing (2)		Key (1)
9	Bearing Cap (1)		Retaining Ring (1)
10	Worm Shaft Seal (2)		Key (1)
11	Shim, Blue (4)		Motor (1)
12	Shim, Clear (2)		
13	Hex Head Screw (6)		<b>With ComDRIVE (not shown)</b>
14	Lock Washer (6)		Reducer Mounting Adapter (1)
15	Translating Tube and Screw Assembly (1)		Gear Reducer (1)
16	Key (1)		Key (1)
17	Stop (1)		Hex Head Screw (4)
18	Retaining Ring (1)		Lock Washer (12)
19	Retaining Ring (1)		Motor (1)
20	Bushing, Translating Tube (1)		Woodruff Key (1)
21	Protection Tube (1)		Hex Head Screw (6)
22	Bushing, Protection Tube (1)		Lock Washer (4)
23	Retaining Ring (1)		Hex Head Screw (4)
24	Double Lip Wiper (1)		Shim, Yellow (2)
25	Grease fitting (1)		Shim, Clear (6)
26	Set Screw (2)		Shim, Blue (6)
27	Air Vent (1)		Worm Shaft Seal (1)
28	Pipe Plug (4)		Worm Shaft Bearing (1)
	<b>Other Options (not shown)</b>		<b>Limit switch Components (not shown)</b>
	Sleeve With Rotated Clevis (1)		Roll Pin (1)
	Plug (1)		Optional Limit Switch Adapter (1)
	Flanged Sleeve (1)		Optional Limit switch (1)
	Clevis Pin (1)		Screw (4)
	Female Rod Clevis (1)		Flat Washer (4)
	Male Clevis Rod End (1)		Screw (1)
	Dowel Pin (1)		
	Set Screw (2)		