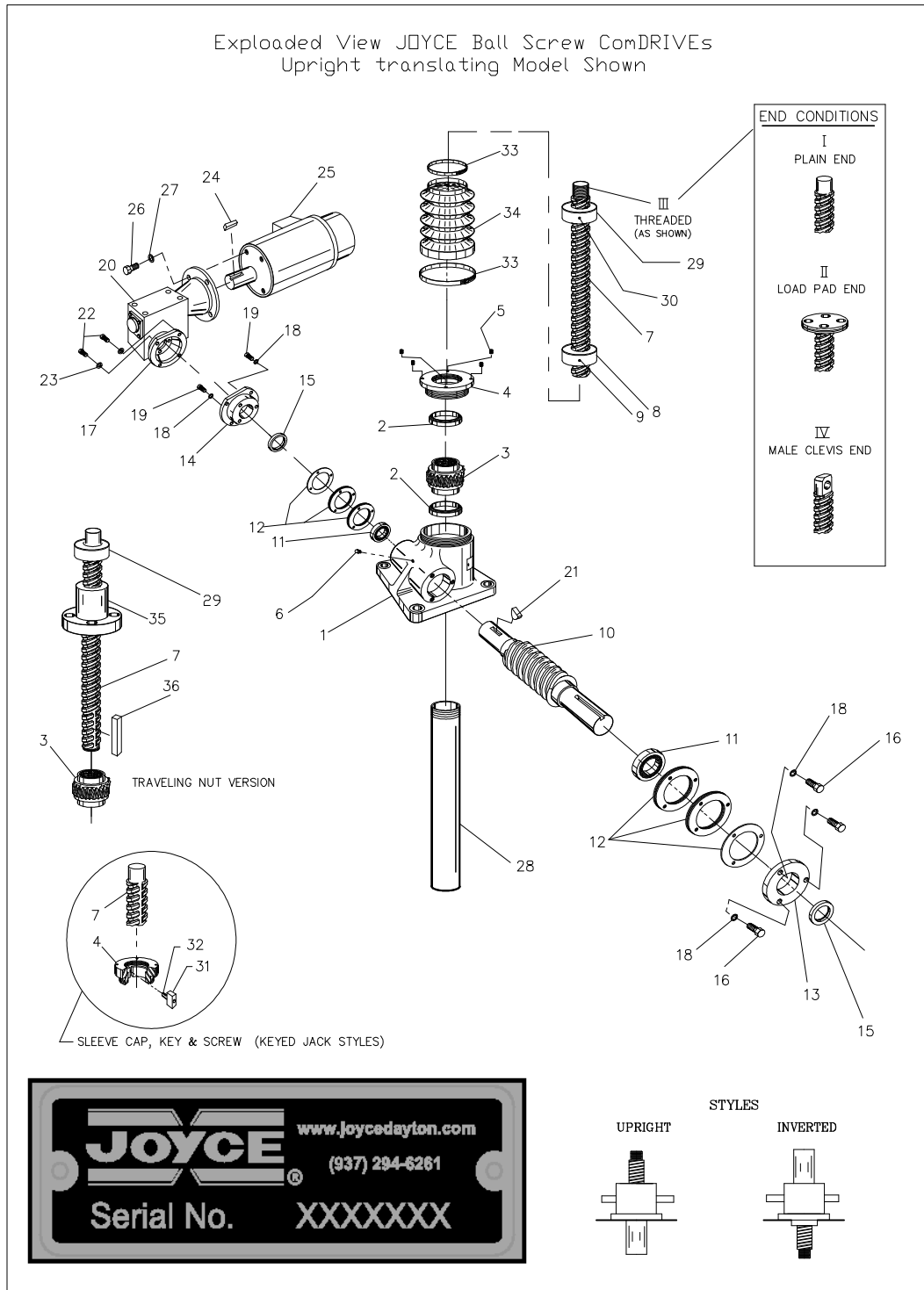


# Section III Views & Parts List

## 3-1 Exploded View



### 3-2 Parts List – Translating and KFTN Ball Screw ComDRIVES®

**Table 3-2 Parts list**

Item	Translating	Item	KFTN- Keyed For Traveling Nut
1	Sleeve	1	Sleeve
2	Thrust Bearing	2	Thrust Bearing
3	Nut (Wormgear)	3	Nut (Wormgear)
4	Sleeve Cap	4	Sleeve Cap
5	Sleeve cap set screw (4)	5	Sleeve cap set screw (4)
6	Grease Fitting	6	Grease Fitting
7	Ball Screw	7	Ball Screw
8	Screw Stop	8	-----
9	Pin or Set Screw	9	-----
10	Worm (Input Shaft)	10	Worm (Input Shaft)
11	Worm Shaft Bearing (2)	11	Worm Shaft Bearing (2)
12	Shims	12	Shims
13	Bearing Cap	13	Bearing Cap
14	Adapter Cap	14	Adapter Cap
15	Worm Shaft Seal (2)	15	Worm Shaft Seals (2)
16	Bearing Cap Screw (3-4)	16	Bearing Cap Screw (3-4)
17	Adapter	17	Adapter
18	Lock Washer (6-8)	18	Lock Washer (6-8)
19	Adapter Cap Screw (3-4)	19	Adapter Cap Screw (3-4)
20	Gear Reducer	20	Gear Reducer
21	Woodruff Key	21	Woodruff Key
22	Hex Head Cap Screws (3-4)	22	Hex Head Cap Screws (3-4)
23	Lock Washers (3-4)	23	Lock Washers (3-4)
24	Key – Motor Key	24	Key – Motor Key
25	Electric Motor	25	Electric Motor
26	Hex Head Cap Screws (3-4)	26	Hex Head Cap Screws (3-4)
27	Lock Washers (3-4)	27	Lock Washers (3-4)
28	Protection Tube	28	-----
29	Screw Stop (1) extending	29	Screw Stop (1) (extending)
30	Pin or Set Screw	30	-----
31	Key – keyed jacks	31	-----
32	Key Screw – keyed jacks	32	-----
33	Boot Clamp	33	Boot Clamp
34	Bellows Boot	34	Bellows Boot
35	-----	35	Traveling Nut
36	-----	36	Key - KFTN