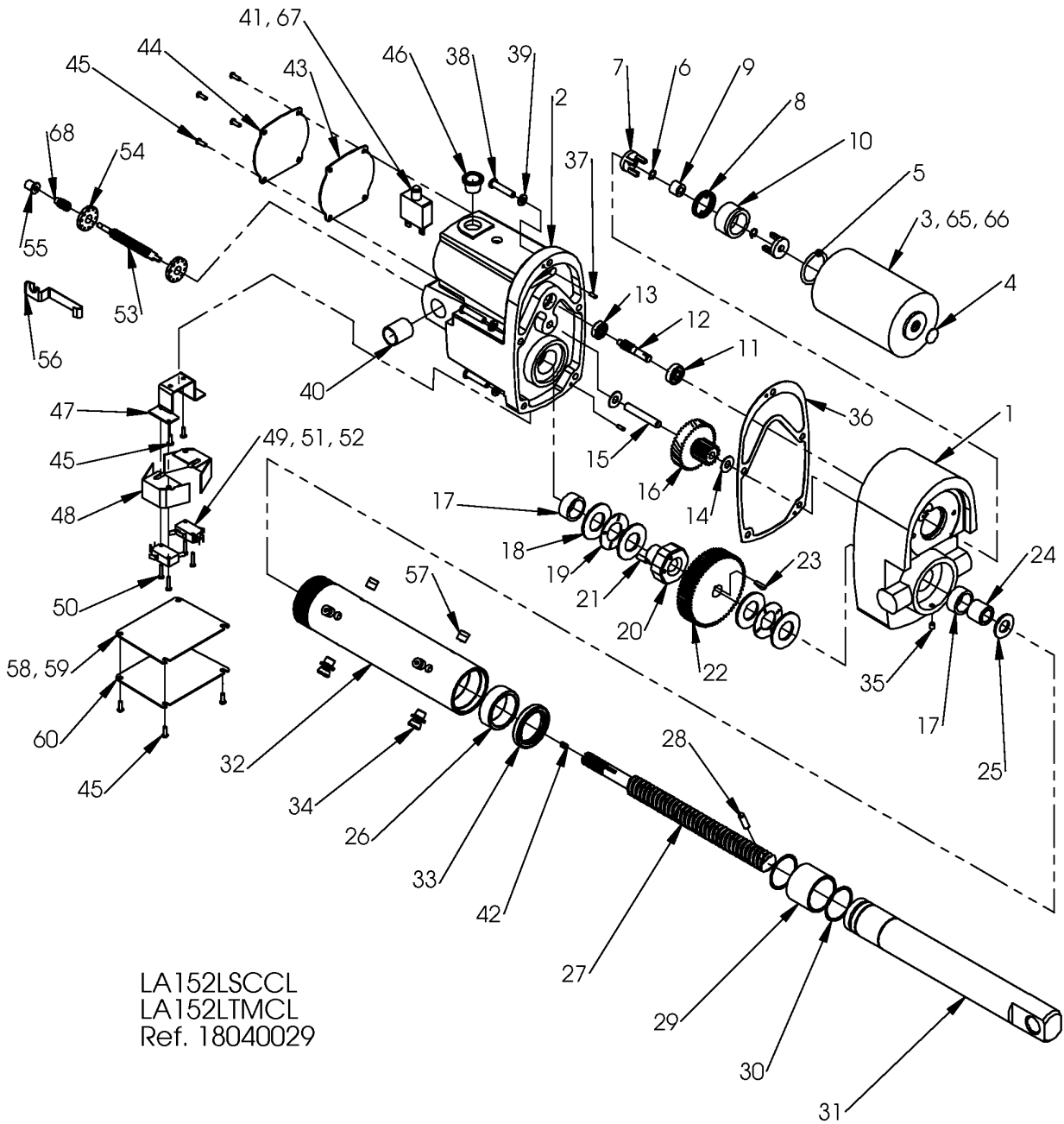


Section III Views and Part Lists

3-1 Exploded View - Linear Actuator with Limit Switch



3-2 Linear Actuator with Limit Switch (18040029)

Table 3-2 Parts List

Item		Item	
1	DC Lower Housing (1)	36	Gasket (1)
2	DC Upper Housing (1)	37	Dowel Pin (2)
3	Motor (1)	38	Screw (5)
4	Hole Plug (1)	39	Lock Washer (5)
5	O-Ring (1)	40	Upper Bushing (1)
6	Retaining Ring (1)	41	Circuit Breaker (1)
7	Coupling Half (2)	42	Compression Spring (1)
8	Drive Spring (2)	43	Cover Gasket (1)
9	Rubber Grommet (1)	44	Cover (1)
10	DC Insert (1)	45	Screw (10)
11	Miniature Bearing – 8mm (1)	46	Tapered Plug (1)
12	Input Pinion(1)	47	Limit Switch Bracket
13	Miniature Bearing – 6mm (1)	48	Limit Switch Insulation (2)
14	Thrust Washer (2)	49	Limit Switch (2)
15	Dowel Pin (1)	50	Screw (4)
16	Cluster Gear (1)	51	Red Jumper Wire (2)
17	Casting Bushing (2)	52	Black Jumper Wire (2)
18	Thrust Washer (4)	53	Limit Switch Shaft (1)
19	Thrust Bearing (2)	54	Limit Switch Nut Cam (2)
20	Spacer Nut (1)	55	Bronze Bearing, Flanged (1)
21	Set Screw (1)	56	Cam Nut Retainer (1)
22	Output Gear (1)	57	Pipe Plug (4)
23	Woodruff Key (1)	58	Instruction Decal (1)
24	Gear Spacer (1)	59	Limit Switch Gasket (1)
25	Washer (1)	60	Limit Switch Cover (1)
26	Guide Bearing (1)	61	Warning decal (1)
27	Lifting Screw (1)	62	Large Decal (1)
28	Dowel Pin (1)	63	Name Tag (1)
29	Translating Tube Bushing (1)	64	Drive Screw (2)
30	Retaining Ring (2)	65	Hex Nut (2)
31	Translating Tube Assembly (1)	66	Lock Washer (2)
32	Outer Tube (1)	67	Female Disconnect (1)
33	Seal (1)	68	Worm, Potentiometer (1)
34	Air Vent (2)		
35	Set Screw (1)		