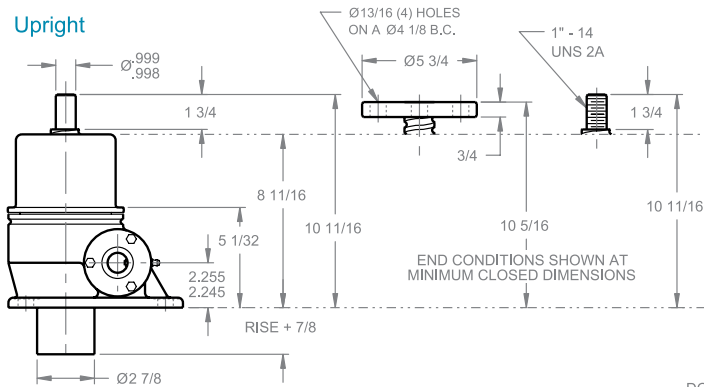


BALL SCREW ComDRIVES®

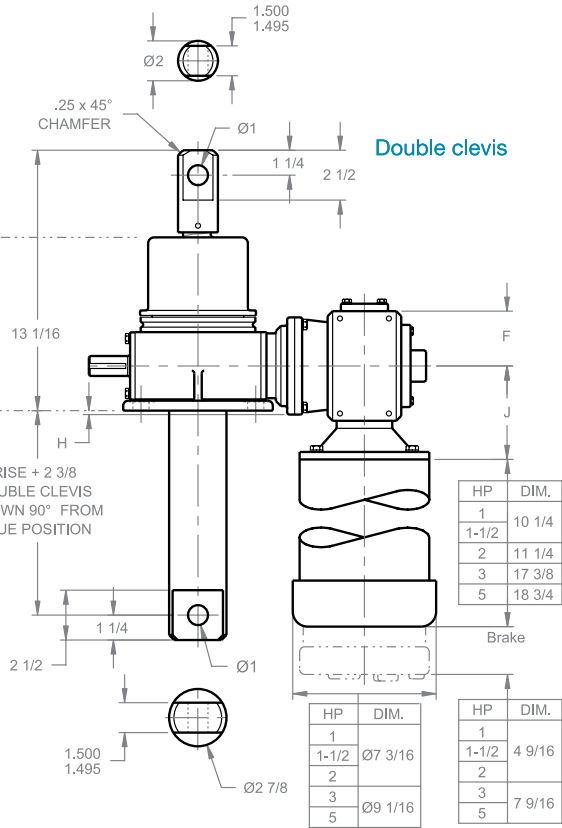
10 TON - 1 1/2" SCREW STANDARD

CDBL 810
CDBL 2410

Upright



Double clevis



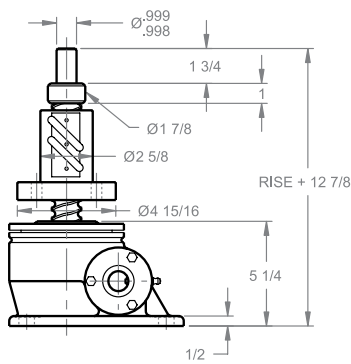
REDUCER DIMENSIONS

HP	1, 1 1/2, 2	3, 5
A	8 11/32	8 29/32
B	11 21/32	13 17/32
C	1 3/4	2 5/8
D	3 3/8	4 7/16
E	8 7/16	11 11/16
F	2 3/4	3 7/8
G	4 15/32	4 15/32
H	0	1 1/8
J	4 11/16	5 3/4
K	3 11/32	4 5/16

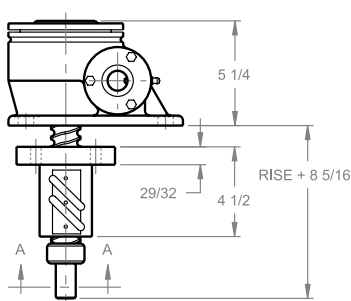
HP	DIM.
1	10 1/4
1-1/2	
2	11 1/4
3	17 3/8
5	18 3/4

HP	DIM.
1	4 9/16
1-1/2	
2	
3	7 9/16
5	

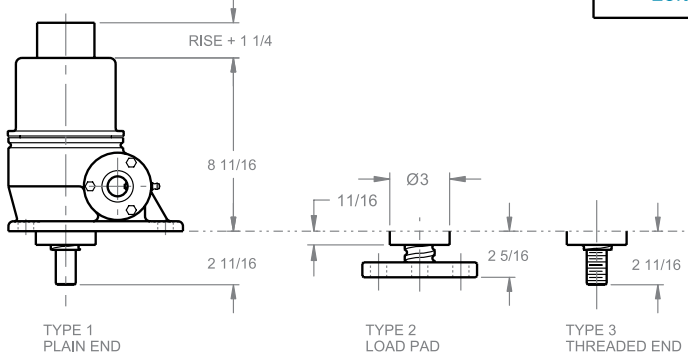
Upright traveling nut



Inverted traveling nut



Inverted



TYPE 1
PLAIN END

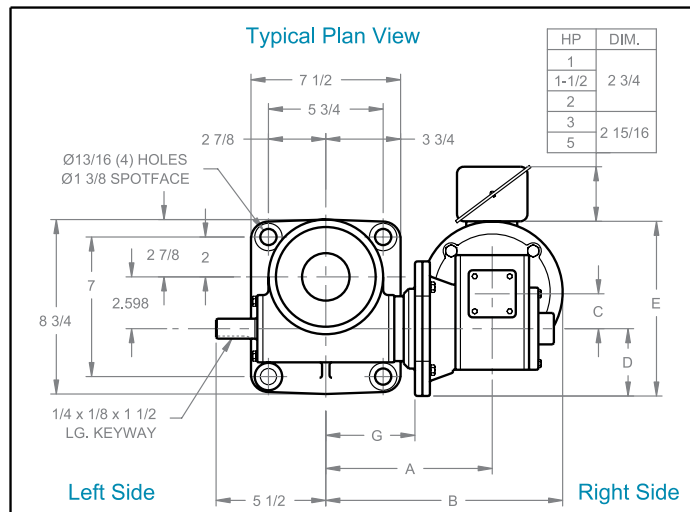
TYPE 2
LOAD PAD

TYPE 3
THREADED END

TYPE 4
MALE CLEVIS END

NOTE: FOR LIFTING CAPACITIES SEE PAGE 107.

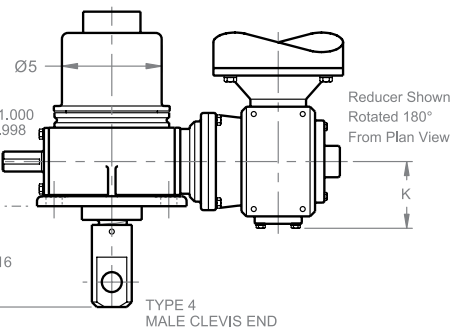
Typical Plan View



HP	DIM.
1	2 3/4
1-1/2	
2	
3	2 15/16
5	

Left Side

Right Side



Reducer Shown
Rotated 180°
From Plan View

Note: Drawings are artist's conception — not for certification; dimensions are subject to change without notice.