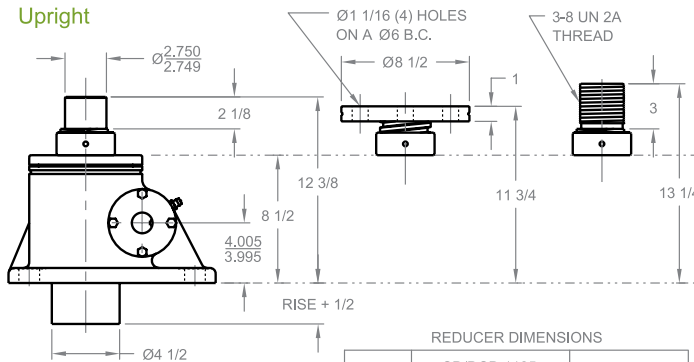


# MACHINE SCREW ComDRIVES®

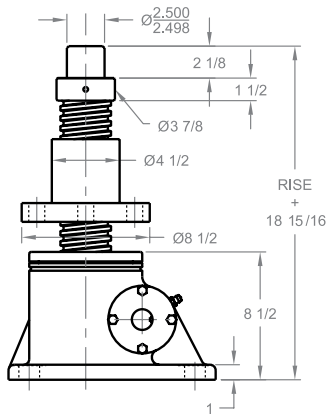
## 25 TON - 3 3/8" SCREW

CD 1125 / DCD 1125  
CD 3225 / DCD 3225

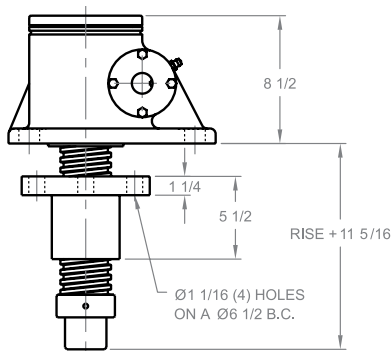
### Upright



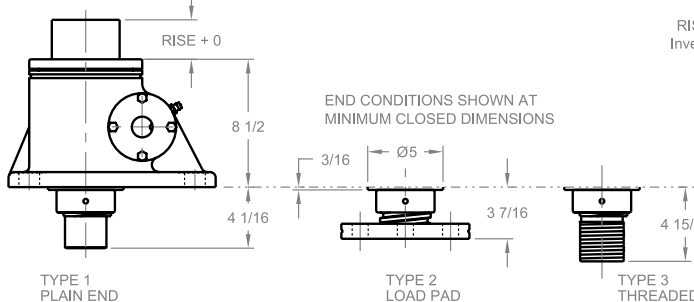
### Upright traveling nut



### Inverted traveling nut



### Inverted



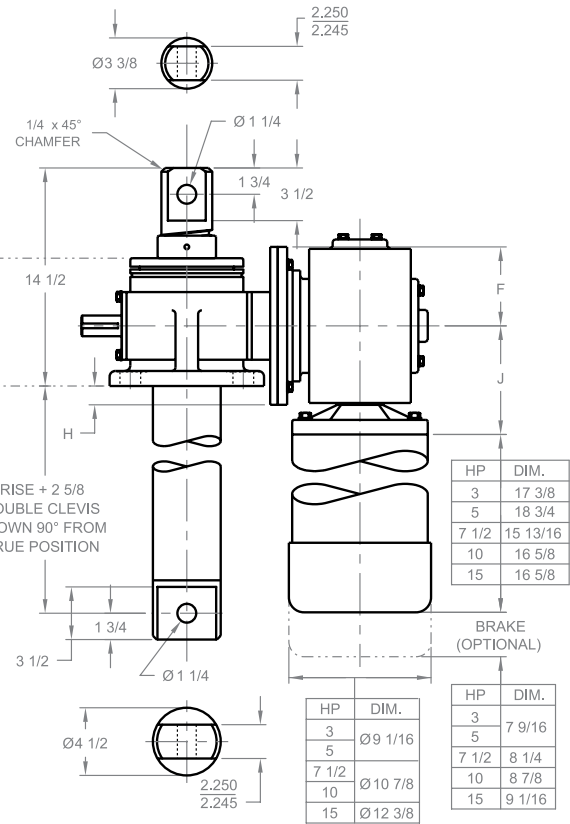
TYPE 1 PLAIN END

TYPE 2 LOAD PAD

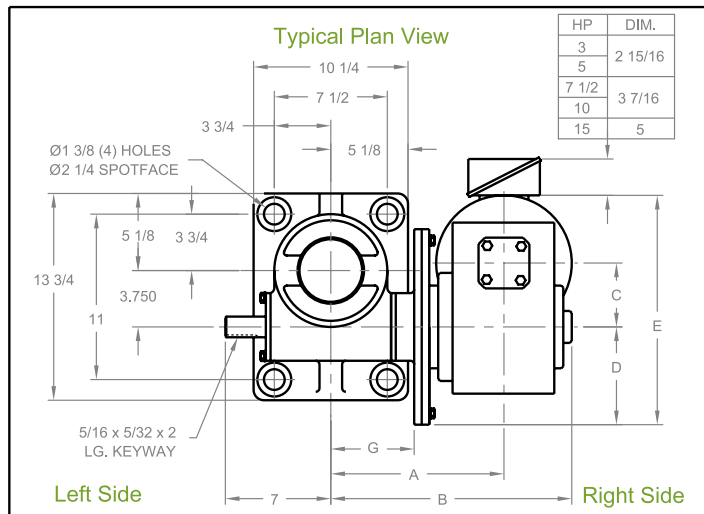
TYPE 3 THREADED END

TYPE 4 MALE CLEVIS END

NOTE: FOR LIFTING CAPACITIES SEE PAGE 49



### Typical Plan View



Note: Drawings are artist's conception — not for certification; dimensions are subject to change without notice.