

# SOLAR TRACKING ACTUATORS

Joyce Solar Actuators are designed to precisely position smaller solar tracking equipment. Their robust and efficient DC motor (24V or 36V) keeps power consumption to a minimum. Travel speeds remain nearly constant regardless of the load. Ideal for rugged environments common to the solar industry, these cost-effective solar actuators have an IP65 protection rating. Self-locking features in the mechanism ensure that the solar actuators can be held in position throughout the daily tracking cycle.

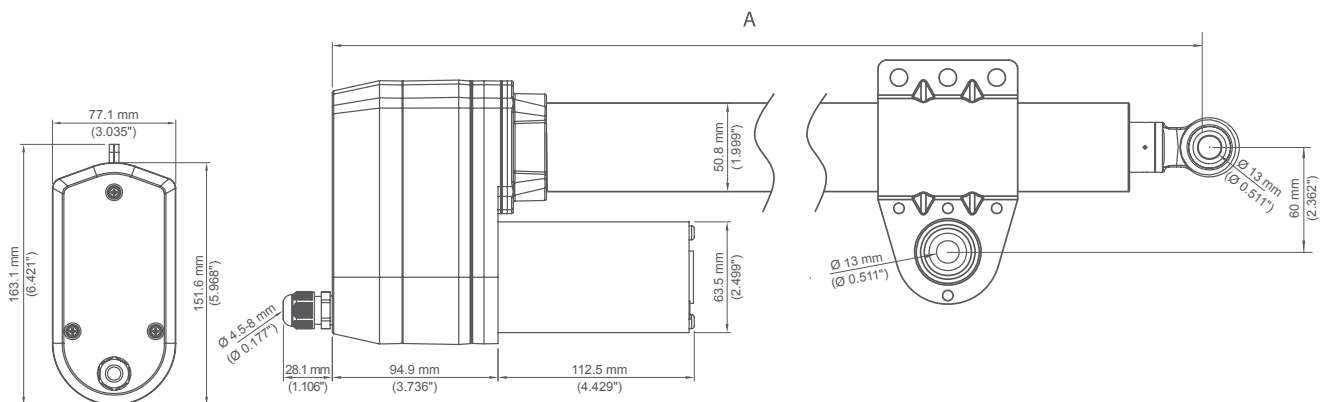
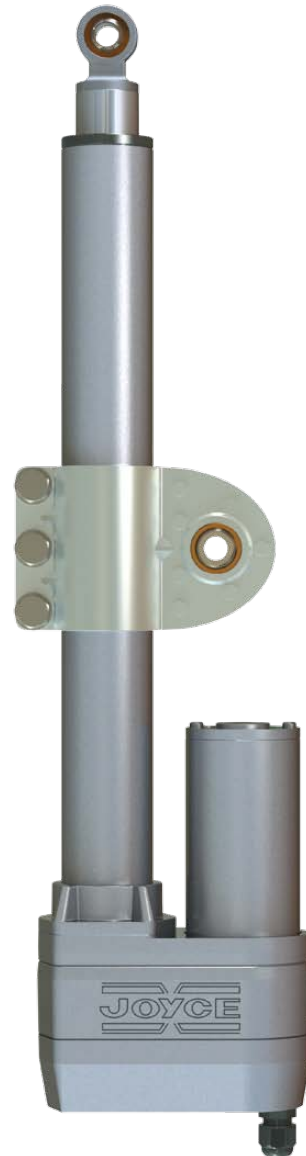
Each solar actuator is lubricated for life and includes an adjustable clevis that allows the unit to be appropriately positioned for the particular application.

## Specifications

- Double clevis mounting for easy installation
- Clutch for overload protection
- Adjustable limit switches for flexible travel settings
- Reed sensor digital feedback for accurate positioning
- Duty cycle is 25% (4 min. running, 12 min. rest)
- IP65 rating provides protection against outdoor conditions
- Lubricated for life to reduce maintenance costs

## Options

- Available in 24V and 36V
- Three stroke lengths – 450 mm (18 in), 600 mm (24 in), 900 mm (36 in)
- Trunnion or end clevis mounts available



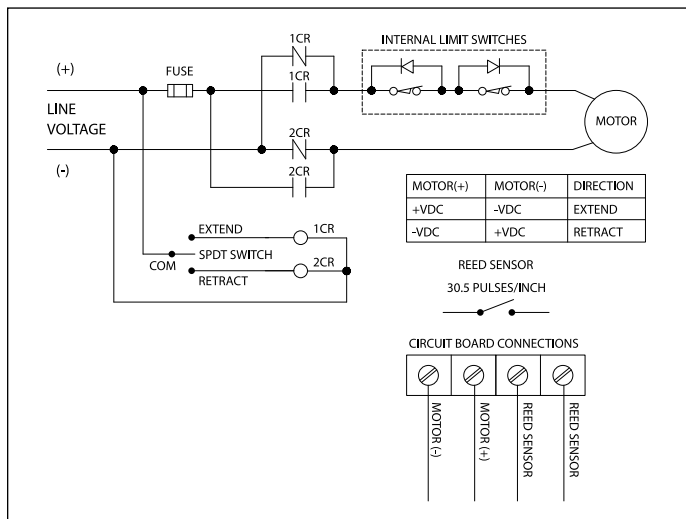
Dimensions and ordering information are on the back of this brochure.

# SOLAR TRACKING ACTUATORS (SA) – SOLAR ACTUATORS

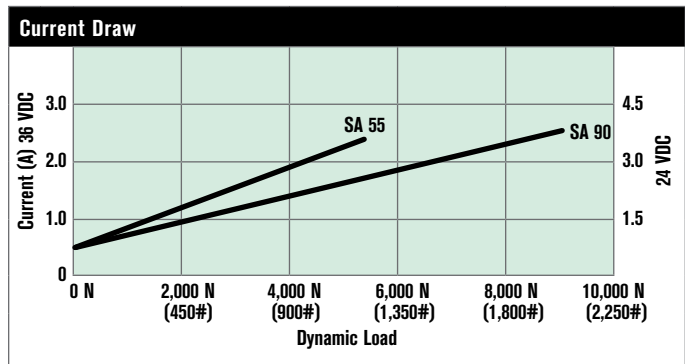
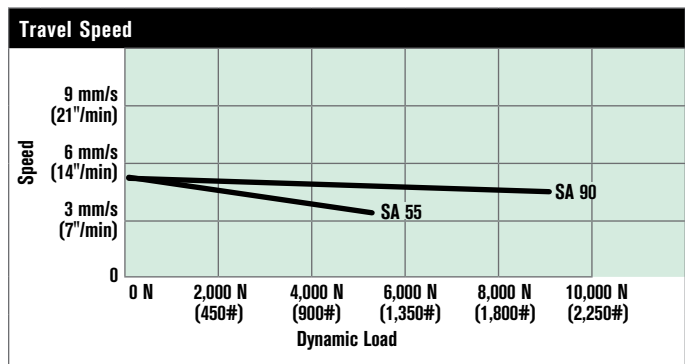
Choose part number from the chart below.

SA – Solar Actuators					
Part Number	Voltage	Dynamic Load Capacity	Static Load Capacity	Stroke	"A" Retracted
SA5524C450	24V	5,500 N (1,200 lb.)	13,600 N (3,000 lb.)	450 mm (18 in.)	764 mm (30.1 in.)
SA5536C450	36V				
SA5524C600	24V	5,500 N (1,200 lb.)	13,600 N (3,000 lb.)	600 mm (24 in.)	917 mm (36.1 in.)
SA5536C600	36V				
SA5524C900	24V	5,500 N (1,200 lb.)	13,600 N (3,000 lb.)	900 mm (36 in.)	1269 mm (50.0 in.)
SA5536C900	36V				
SA9024C450	24V	9,000 N (2,000 lb.)	17,100 N (3,800 lb.)	450 mm (18 in.)	810 mm (31.9 in.)
SA9036C450	36V				
SA9024C600	24V	9,000 N (2,000 lb.)	17,100 N (3,800 lb.)	600 mm (24 in.)	963 mm (37.9 in.)
SA9036C600	36V				
SA9024C900	24V	9,000 N (2,000 lb.)	17,100 N (3,800 lb.)	900 mm (36 in.)	1,315 mm (51.7 in.)
SA9036C900	36V				

## Typical Performance Characteristics



Additional options are available for Solar Jacks and Actuators. Contact Joyce/Dayton with your design requirements.



## Joyce/Dayton Corp.

P.O. Box 1630  
Dayton, Ohio 45401

Toll Free (800) 523-5204  
Phone (937) 294-6261  
Fax (937) 297-7173  
E-mail solar@joycedayton.com

joycedayton.com

©2012 Joyce/Dayton Corp. FB0258 08/12 Printed in U.S.A.

