

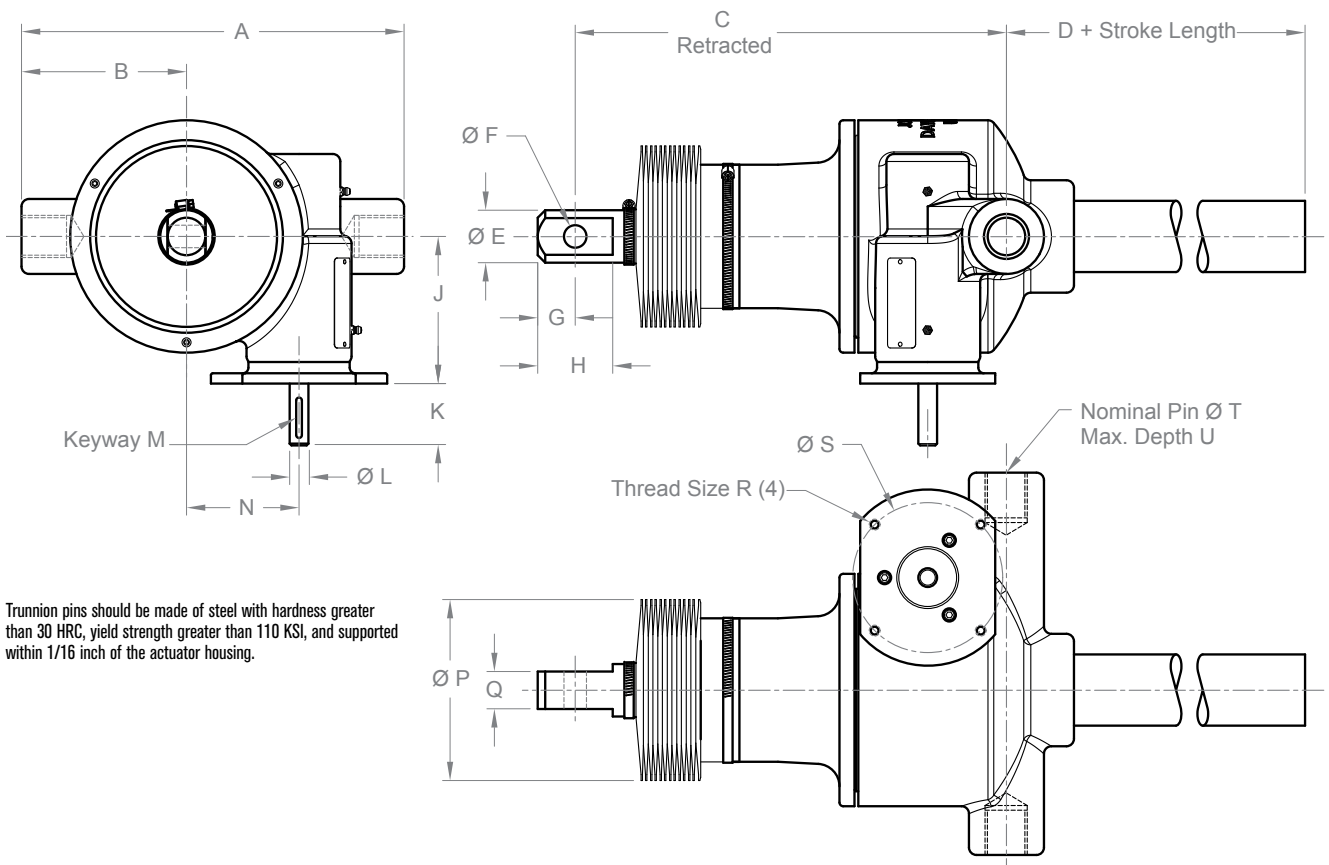
SOLAR TRACKING JACKS (STB) – BALL SCREW JACKS

These highly efficient, solar tracking jacks are designed to precisely position loads at speeds up to 3.75 inches per minute. A brake motor is required to hold position.

To obtain a quotation or place an order, please contact us at 800-523-5204 or solar@joycedayton.com

STB – Ball Screw Jacks		
Part Number	Typical Dynamic Load Capacity*	Typical Static Load Capacity*
STB-4.5	9,000 lb.	20,000 lb.
STB-11	22,000 lb.	40,000 lb.
STB-44	88,000 lb.	88,000 lb.

*Actual load capacities may vary depending on desired life and travel speed requirements.



Trunnion pins should be made of steel with hardness greater than 30 HRC, yield strength greater than 110 KSI, and supported within 1/16 inch of the actuator housing.

Ball Screw Solar Tracking Jack (STB) Dimensions																				
Model	A	B	C	D	E	F	G	H	J	K	L	M	N	P	Q	R	S	T	U	
STB-4.5	12.75	5.50	15.5	1.0	1.75	0.75	1.25	2.50	4.9	2.06	0.625	0.188 Sq x 1.0 Lg	3.75	6.0	1.250	5/16-18	5.00	1.25	1.50	
STB-11	12.750	5.750	19.5	1.5	2.75	1.25	1.50	3.00	5.1	2.06	0.625	0.188 Sq x 1.0 Lg	3.75	6.5	1.750	5/16-18	5.00	1.75	2.00	
STB-44	20.000	9.500	27.50	2.5	4.50	1.78	2.375	4.50	8.0	3.13	1.00	0.250 Sq x 1.25 Lg	5.00	13.0	2.750	3/8-16	8.00	3.00	4.00	

Dimensions are in inches.