


MULTIPURPOSE ACTUATORS



JOYCE
S/N: 5200336



www.joycedayton.com



MULTIPURPOSE ACTUATORS

Joyce/Dayton multipurpose actuators are compact, versatile and designed to lift dynamic loads ranging from 500N (112 lb) to 7000N (1574 lb). Each 12 VDC actuator is equipped with a potentiometer and preset limit switches, and offers an IP65 rating that qualifies them for many wash-down and outdoor duty applications. A selection of models is available to meet your specific requirements.

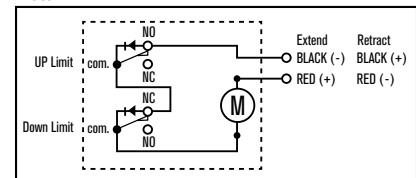
MA0513

- Dynamic loads up to 500N (112 lb)
- Static load capacity of 2000N (450 lb)
- Maximum travel speed of 13 mm/sec (31 in/min)
- 25% duty cycle
- 12 VDC
- Clevis-to-clevis mounting
- Self-locking
- Preset limit switches (non-adjustable)
- Potentiometer
- IP65 protection rating
- Operating temperature of -25°C to 65°C (-13°F to 149°F)
- Aluminum extension tube and outer tube
- Optional control packages for AC-DC and DC-DC power are available (see back cover for details)

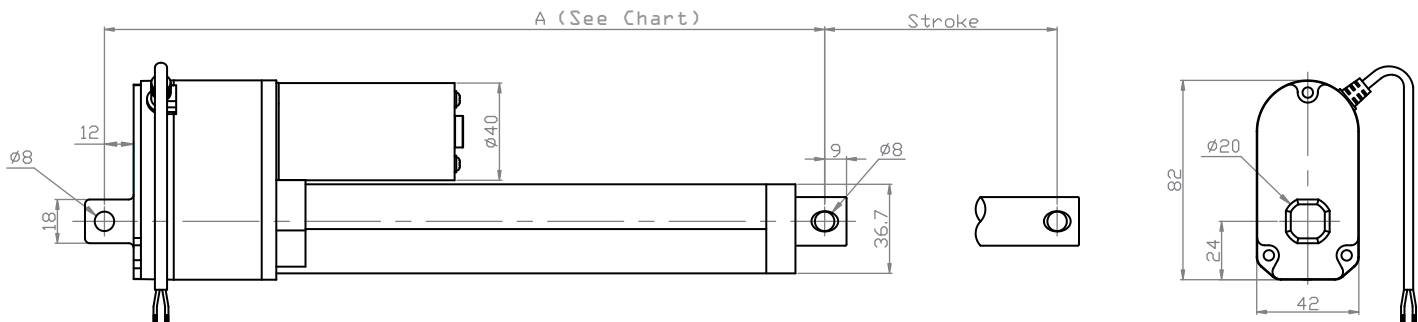
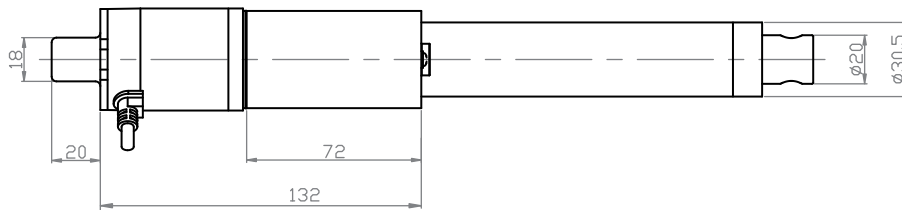
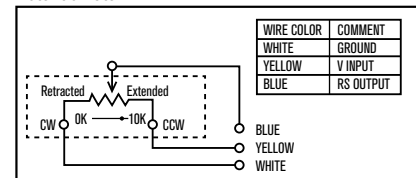
MA0513 Multipurpose Actuators				
Part Number	Capacity N (lb)	Stroke mm (in)	Travel Speed mm/sec (in/min)	Retracted (A) mm (in)
MA0513B1110	500 (112)	100 (3.9)	13 (31)	246 (9.7)
MA0513B1115	500 (112)	150 (5.9)	13 (31)	297 (11.7)
MA0513B1125	500 (112)	250 (9.8)	13 (31)	399 (15.7)
MA0513B1130	500 (112)	300 (11.8)	13 (31)	450 (17.7)



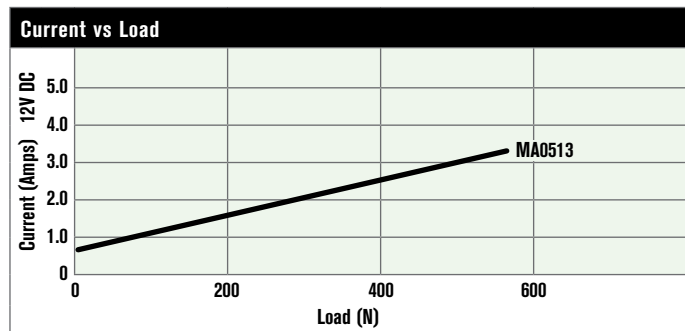
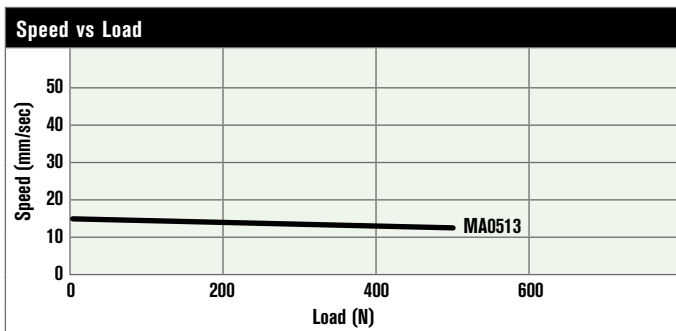
Motor



Potentiometer



All dimensions are in millimeters.



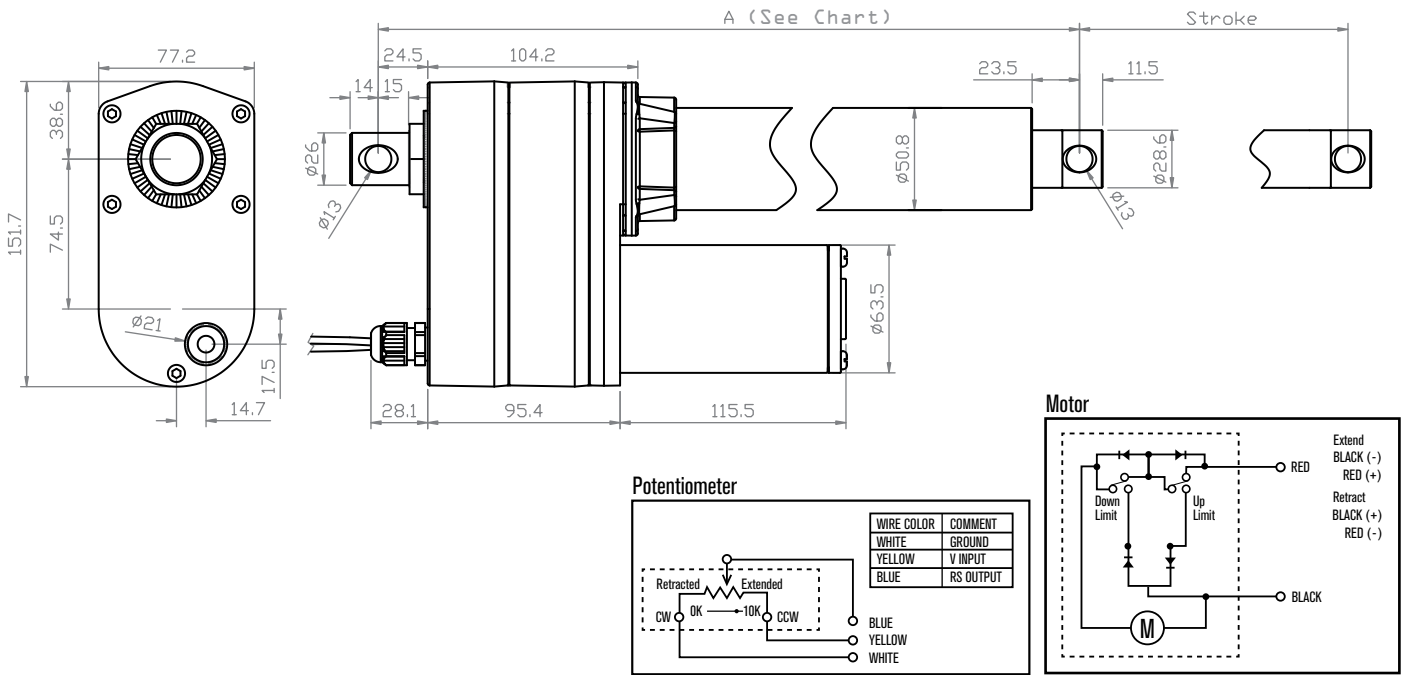
Contact Joyce/Dayton with all your actuator and control requirements.

MA1527/MA3507

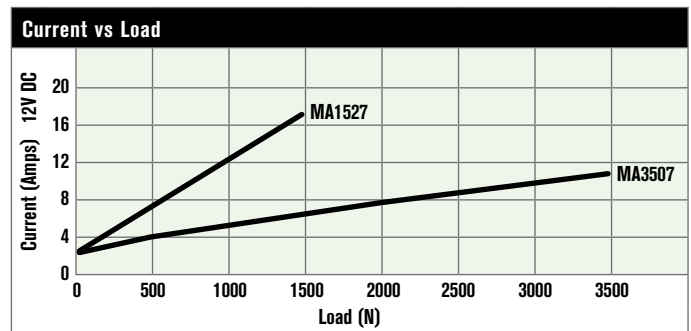
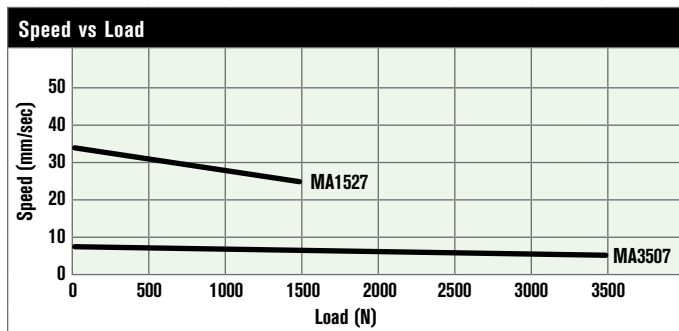
- Dynamic loads up to 3500N (787 lb)
- Static load capacity of 4500N (1012 lb)
- Maximum travel speeds (see chart)
- 25% duty cycle
- 12 VDC
- Clevis-to-clevis mounting
- Self-locking
- Preset limit switches can be adjusted
- Potentiometer
- IP65 protection rating
- Operating temperature of -25°C to 65°C (-13°F to 149°F)
- Steel extension tube and outer tube
- Optional control packages for AC-DC and DC-DC power are available (see back cover for details)

MA1527, MA3507 Multipurpose Actuators

Part Number	Capacity N (lb)	Stroke mm (in)	Travel Speed mm/sec (in/min)	Retracted (A) mm (in)
MA1527B1115	1500 (337)	153 (6.0)	27 (64)	410 (16.1)
MA1527B1130	1500 (337)	305 (12.0)	27 (64)	613 (24.1)
MA1527B1145	1500 (337)	457 (18.0)	27 (64)	765 (30.1)
MA3507B1115	3500 (787)	153 (6.0)	07 (17)	410 (16.1)
MA3507B1130	3500 (787)	305 (12.0)	07 (17)	613 (24.1)
MA3507B1145	3500 (787)	457 (18.0)	07 (17)	765 (30.1)



All dimensions are in millimeters.

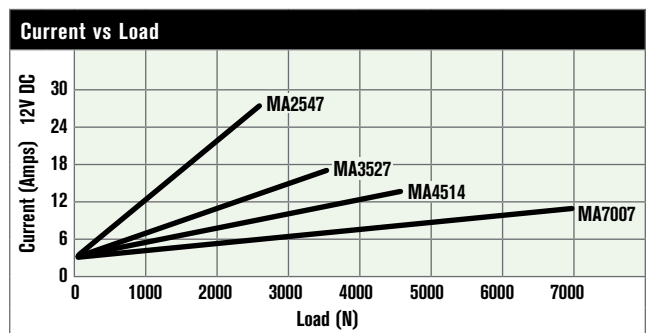
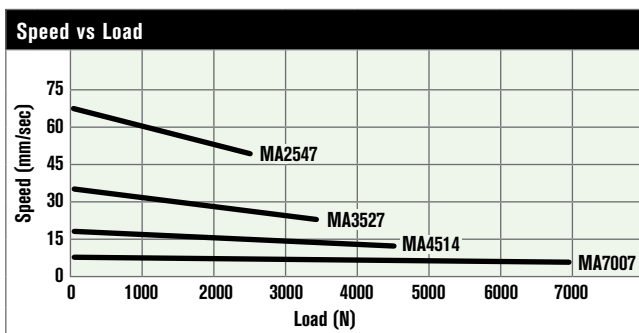
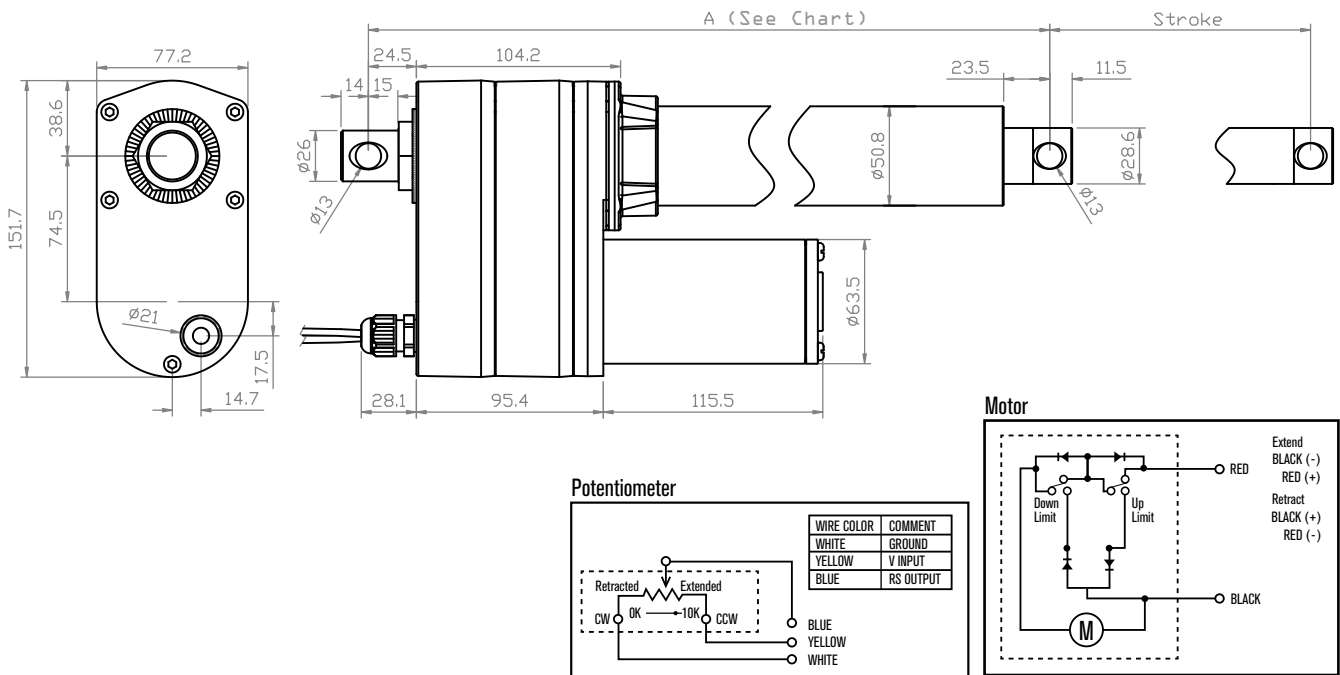


Contact Joyce/Dayton with all your actuator and control requirements.

MA2547/MA3527/MA4514/MA7007

- Dynamic loads up to 7000N (1574 lb)
- Static load capacity of 13,600N (3057 lb)
- Maximum travel speeds (see chart)
- 25% duty cycle
- 12 VDC
- Clevis-to-clevis mounting
- Self-locking
- Preset limit switches can be adjusted
- Potentiometer
- IP65 protection rating
- Operating temperature of -25°C to 65°C (-13°F to 149°F)
- Stainless steel extension tube, steel outer tube
- Optional control packages for AC-DC and DC-DC power are available (see back cover for details)

MA2547, MA3527, MA4514, MA7007 Multipurpose Actuators				
Part Number	Capacity N (lb)	Stroke mm (in)	Travel Speed mm/sec (in/min)	Retracted (A) mm (in)
MA2547B1115	2500 (562)	153 (6.0)	47 (111)	450 (17.7)
MA2547B1130	2500 (562)	305 (12.0)	47 (111)	680 (26.8)
MA2547B1145	2500 (562)	457 (18.0)	47 (111)	832 (32.8)
MA3527B1115	3500 (787)	153 (6.0)	27 (64)	450 (17.7)
MA3527B1130	3500 (787)	305 (12.0)	27 (64)	680 (26.8)
MA3527B1145	3500 (787)	457 (18.0)	27 (64)	832 (32.8)
MA4514B1115	4500 (1012)	153 (6.0)	14 (33)	450 (17.7)
MA4514B1130	4500 (1012)	305 (12.0)	14 (33)	680 (26.8)
MA4514B1145	4500 (1012)	457 (18.0)	14 (33)	832 (32.8)
MA7007B1115	7000 (1574)	153 (6.0)	7 (17)	450 (17.7)
MA7007B1130	7000 (1574)	305 (12.0)	7 (17)	680 (26.8)
MA7007B1145	7000 (1574)	457 (18.0)	7 (17)	832 (32.8)



Contact Joyce/Dayton with all your actuator and control requirements.

MOTOR CONTROLS FOR MULTIPURPOSE ACTUATORS

120 VAC – 12 VDC controls feature:

- 120 VAC input – 12 VDC output
- NEMA 12 CSA approved housing
- Nominal dimensions of control box 16 3/8 in x 10 3/8 in x 6 in
- Includes a momentary rocker-type contact switch for extend/retract operation
- Includes a terminal strip for motor and incoming power connection

12 VDC – 12 VDC controls feature:

- 12 VDC input – 12 VDC output
- NEMA 12 CSA approved housing
- Nominal dimensions of control box 8 in x 8 in x 4 in
- Includes a momentary rocker-type contact switch for extend/retract operation
- Includes a terminal strip for motor and incoming power connection

Controls for MA0513	
Input - Output	Part number
12 VDC – 12 VDC (8.5 amp DC output)	07990938
120 VAC – 12 VDC (8.5 amp DC output) with power supply*	07990931

Controls for MA1527, MA3507, MA3527, MA4514, MA7007	
Input - Output	Part number
12 VDC – 12 VDC (25 amp DC output)	07990939
120 VAC – 12 VDC (25 amp DC output) with power supply*	07990932

Controls for MA2547	
Input - Output	Part number
12 VDC – 12 VDC (37.5 amp DC output)	07990940
120 VAC – 12 VDC (37.5 amp DC output) with power supply*	07990933

*Power supply may be purchased separately



DC Control Box



AC Control Box

Additional options for actuators and controls are available. Contact Joyce/Dayton with your specific requirements.

937-294-6261
 800-523-5204 (US and Canada)
 937-297-7173 (Facsimile)
 sales@joycedayton.com

www.joycedayton.com

©2011 Joyce/Dayton Corp. All rights reserved
 FB0253-01/11

