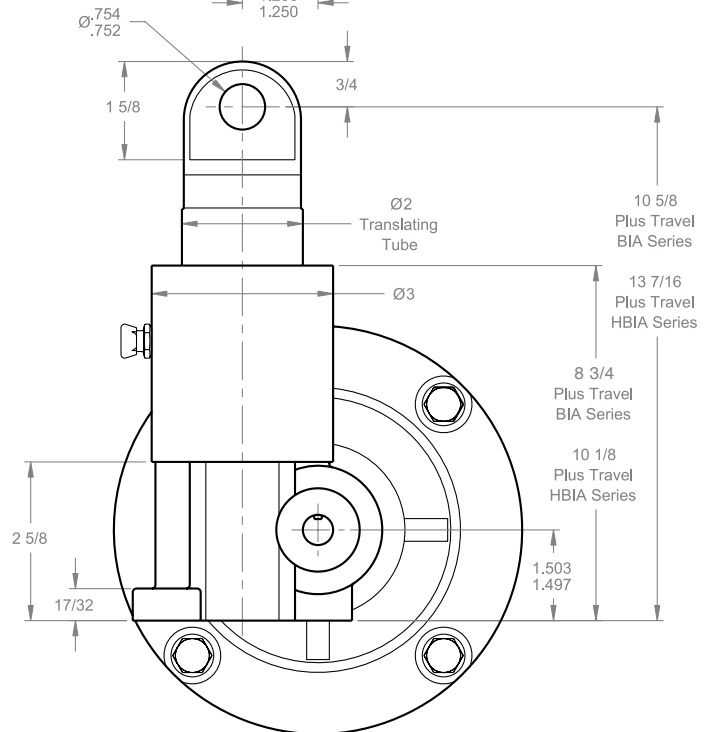
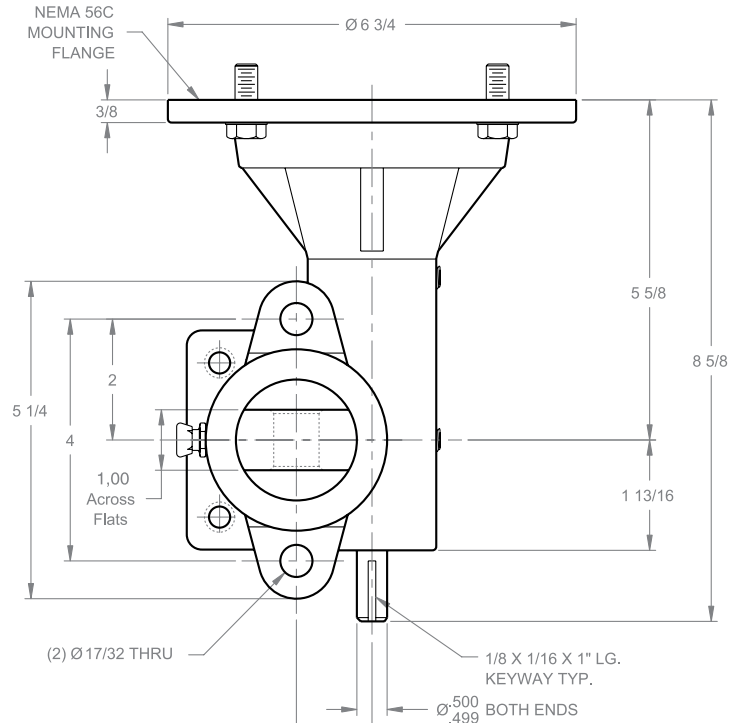
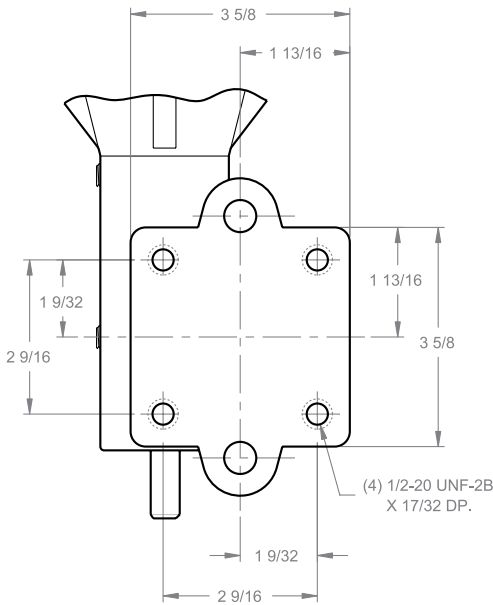


INTEGRATED ACTUATORS

100-2000 POUND INTEGRATED BALL SCREW

BIA 51TT / HBIA 51TT
BIA 201TT



| Model Number | BIA51TT* | | HBIA51TT* | | |
|--------------------------------|---|------|--|------|-----|
| | BIA201TT* | | - | | |
| Ball Screw | 1" diameter .250" lead ball screw | | 1" diameter 1.000" lead ball screw | | |
| Wormgear Ratio | 5:1 | | 5:1 | | |
| | 20:1 | | - | | |
| Worm Shaft Turns/1" Travel | 20 | | 5 | | |
| | 80 | | - | | |
| Motor RPM | 1140 | 1725 | 1140 | 1725 | |
| Lifting Speed Inches/Minute | 57 | 86 | 228 | 345 | |
| | 14 | 21 | - | - | |
| Rated Loads (lbs.) | 1/4 HP Motor | 925 | 625 | 225 | 100 |
| | | 2000 | 2000 | - | - |
| | 1/3 HP Motor | 1225 | 825 | 300 | 200 |
| | | 2000 | 2000 | - | - |
| | 1/2 HP Motor | 1850 | 1250 | 450 | 300 |
| | | 2000 | 2000 | - | - |
| | 3/4 HP Motor | 2000 | 1875 | 700 | 450 |
| | | 2000 | 2000 | - | - |

Lead: The distance traveled axially in one rotation of the lifting screw.

Pitch: The distance from a point on a screw thread to a corresponding point on the next thread, measured axially.

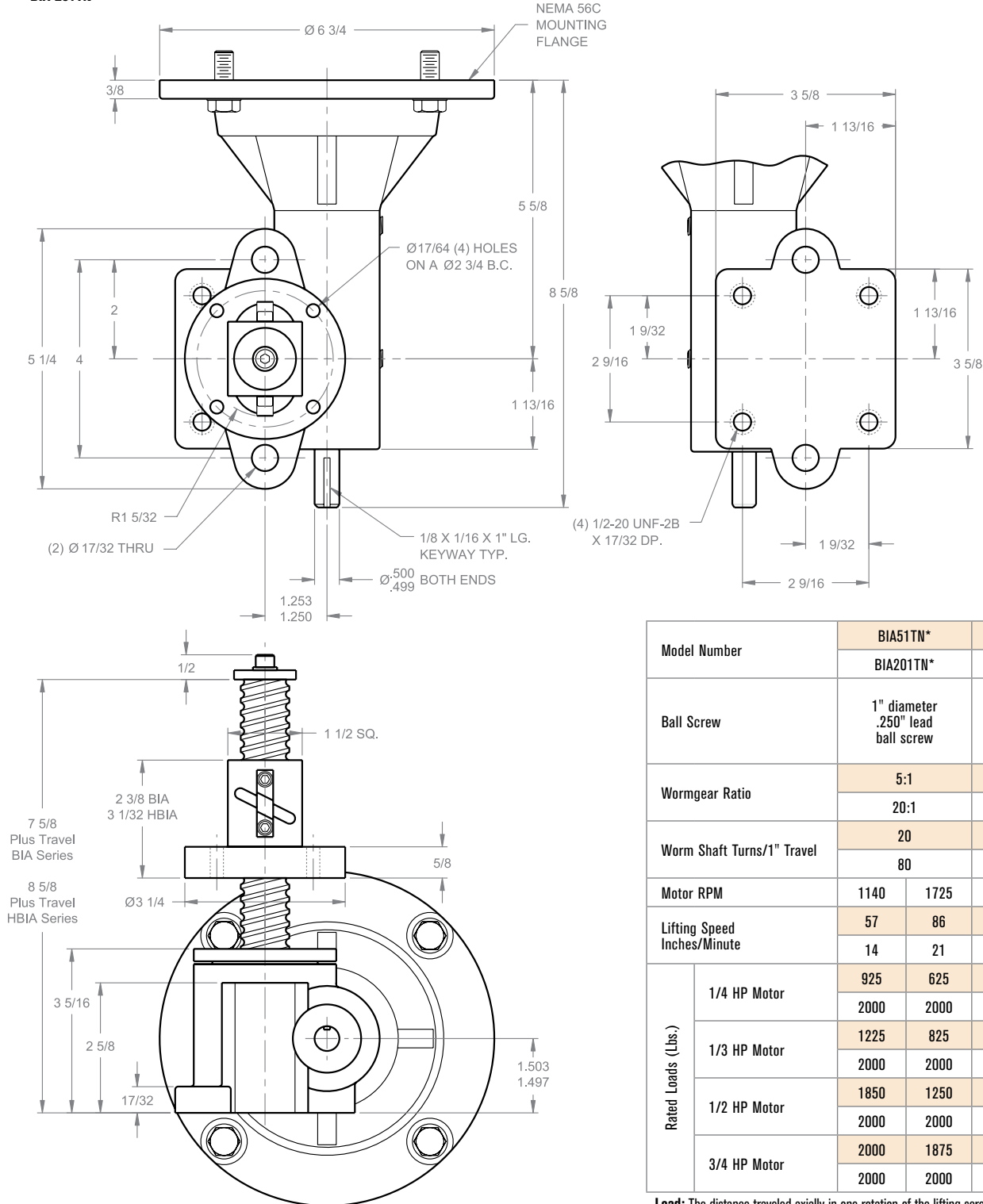
Important Note: *BIA & HBIA models not self-locking. Brake motors or external locking systems are required.

Note: Drawings are artist's conception — not for certification; dimensions are subject to change without notice.

INTEGRATED ACTUATORS

100-2000 POUND INTEGRATED BALL SCREW

BIA 51TN / HBIA 51TN
BIA 201TN



| Model Number | BIA51TN* | | HBIA51TN* | | |
|--------------------------------|---|------|--|------|-----|
| | BIA201TN* | | - | | |
| Ball Screw | 1" diameter .250" lead ball screw | | 1" diameter 1.000" lead ball screw | | |
| Wormgear Ratio | 5:1 | | 5:1 | | |
| | 20:1 | | - | | |
| Worm Shaft Turns/1" Travel | 20 | | 5 | | |
| | 80 | | - | | |
| Motor RPM | 1140 | 1725 | 1140 | 1725 | |
| | 57 | 86 | 228 | 345 | |
| Lifting Speed Inches/Minute | 14 | 21 | - | - | |
| | 925 | 625 | 225 | 100 | |
| Rated Loads (Lbs.) | 1/4 HP Motor | 2000 | 2000 | - | - |
| | | 1225 | 825 | 300 | 200 |
| 1/3 HP Motor | 2000 | 2000 | - | - | |
| | 1850 | 1250 | 450 | 300 | |
| 1/2 HP Motor | 2000 | 2000 | - | - | |
| | 2000 | 1875 | 700 | 450 | |
| 3/4 HP Motor | 2000 | 2000 | - | - | |

Lead: The distance traveled axially in one rotation of the lifting screw.

Pitch: The distance from a point on a screw thread to a corresponding point on the next thread, measured axially.

Important Note: *BIA & HBIA models not self-locking. Brake motors or external locking systems are required.

Note: Drawings are artist's conception — not for certification; dimensions are subject to change without notice.